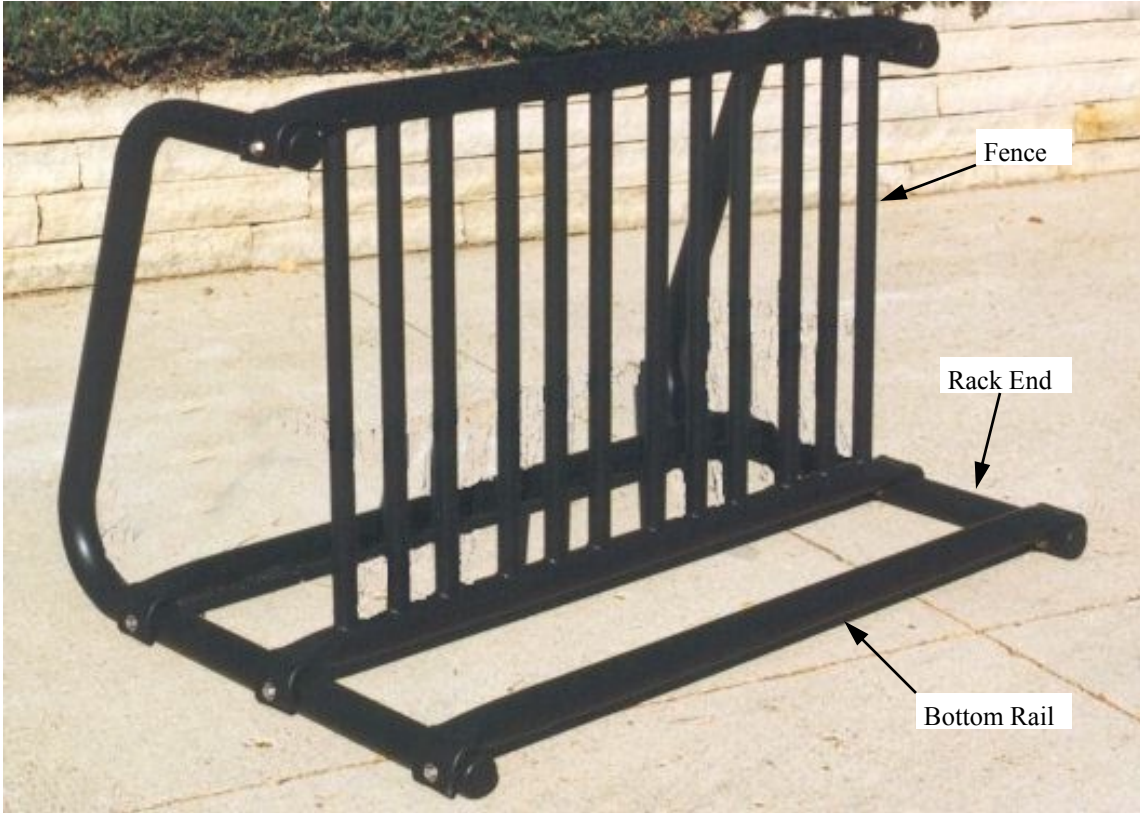




# 997-005



Part No.	Description	Qty.
651-T01	Bike Rack End w/tab	2
651-002	5' Bike Fence	1
651-003	5' Bottom Rail	2
516-029	3/8" X 3-1/2" SS Hex Bolt	8
516-028	3/8" SS Nylock Nut	8
516-023	3/8" SS Washer	16

- 1 Drill plastic out of the mounting holes on the ends, rails and fence using a 7/16" dia. drill bit.
- 2 Fasten the fence to the rack ends loosely.
- 3 Fasten the rails to the rack ends loosely.
- 4 Check the alignment of the parts and tighten all bolts securely.

In Accordance to California law: WARNING This product contains a chemical known to the State of California to cause cancer and birth defects or other reproductive harm.

*Periodic check of bolt tightness recommended.*



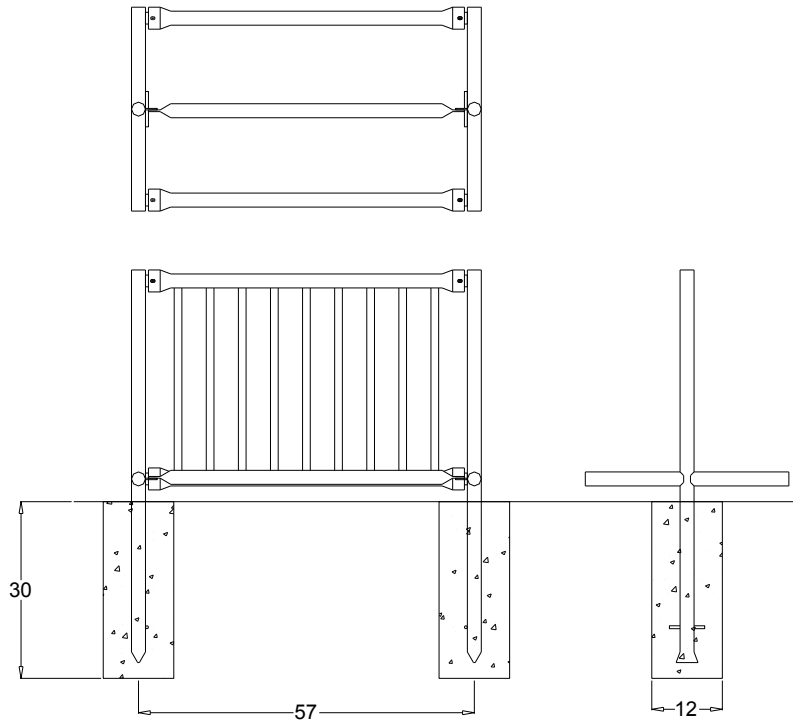
## PREMIER POLYSTEEL

The Best Commercial Outdoor Furniture Available. Period.





# 997-205



Part No.	Description	Qty.
651-011	Bike Rack End Direct Bury	2
651-014	5' Bike Fence Direct Bury	1
651-015	5' Bottom Rail Direct Bury	2
516-058	3/8" X 1-1/2" SS Hex Bolt	8
516-028	3/8" SS Nylock Nut	8
516-023	3/8" SS Washer	16

- 1 Drill plastic out of the mounting holes on the ends, rails and fence using a 7/16" dia. drill bit.
- 2 Fasten the fence to the rack ends loosely.
- 3 Fasten the rails to the rack ends loosely.
- 4 Check the alignment of the parts and tighten all bolts securely.
- 5 Drill two 12" diameter holes in the ground per the above drawing.
- 6 Position bike rack in holes and level.
- 7 Fill holes with concrete no higher than ground level.

*Periodic check of bolt tightness recommended.*

In Accordance to California law: WARNING This product contains a chemical known to the State of California to cause cancer and birth defects or other reproductive harm.



## PREMIER POLYSTEEL

The Best Commercial Outdoor Furniture Available. Period.

