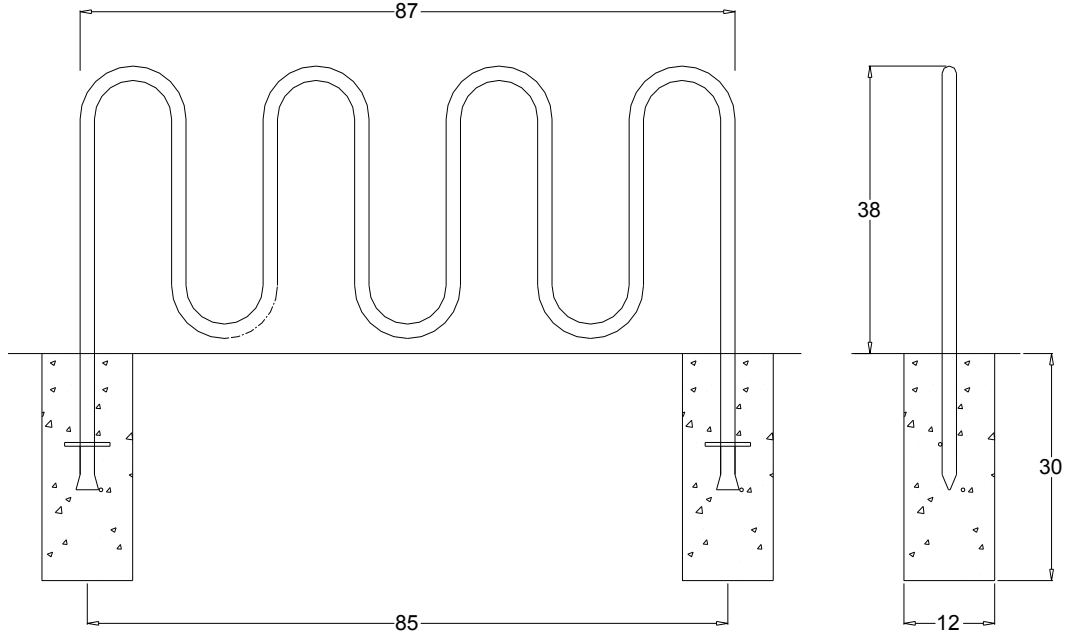




997-207

997-207 BIKE RACK 4 LOOP DIRECT BURY



Part No.	Description	Qty.
651-021	4 Loop Bike Rack Direct Bury	1

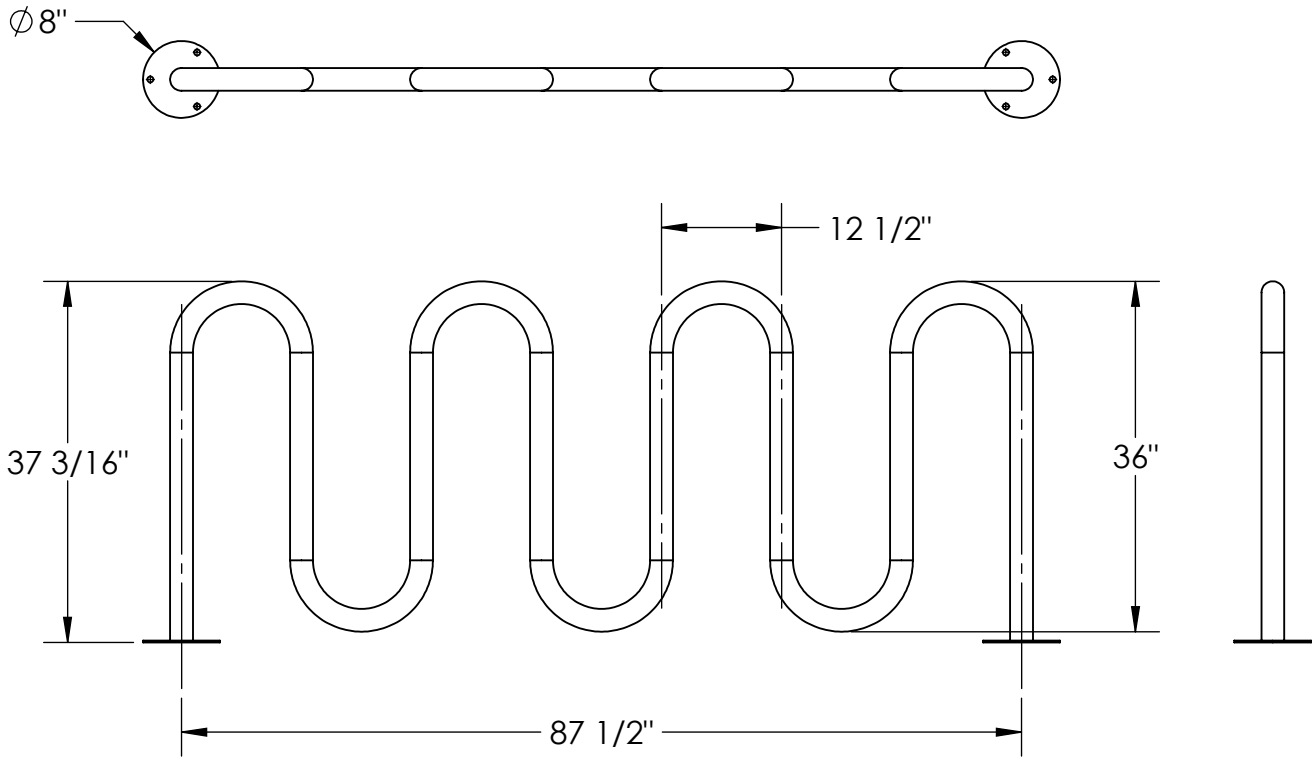
- 1 Use bike rack to locate ground hole location. *(The 85" dimension may vary.)*
- 2 Drill holes in ground as shown.
- 3 Support the bike rack in the holes and fill the holes with concrete.
- 4 Remove the supports after the concrete has set.

In Accordance to California law: WARNING This product contains a chemical known to the State of California to cause cancer and birth defects or other reproductive harm.



PREMIER POLYSTEEL
The Best Commercial Outdoor Furniture Available. Period.





1. Drill plastic out of the mounting holes with a 7/16" dia. drill bit.
2. Position bike rack where desired.
3. Secure to the surface with the appropriate fasteners.

In Accordance to California law: WARNING This product contains a chemical known to the State of California to cause cancer and birth defects or other reproductive harm.



PREMIER POLYSTEEL

The Best Commercial Outdoor Furniture Available. Period.

