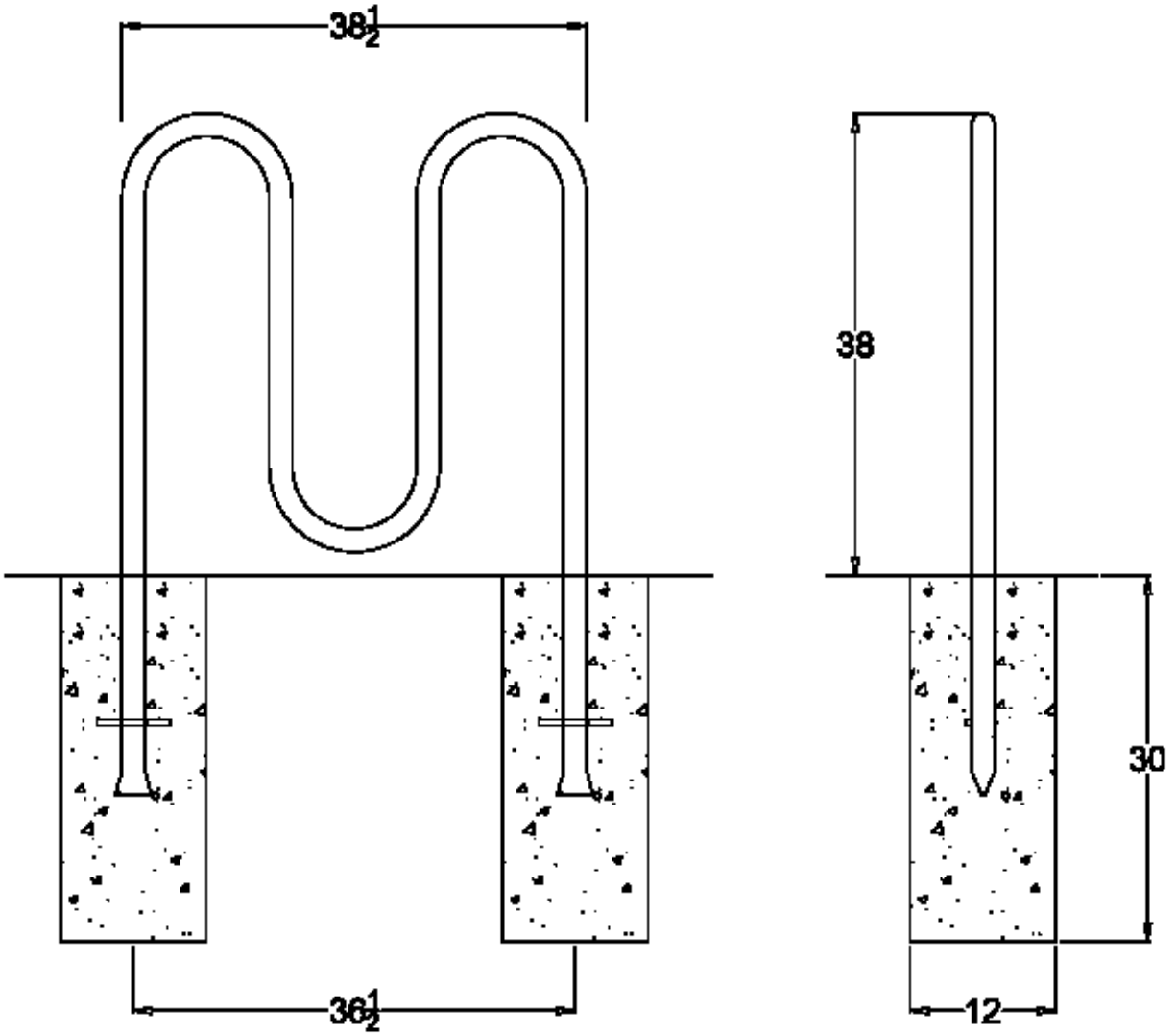




997-203 Premier 2 Loop Bike Rack



Part No.	Description	Qty.
651-019	2 Loop Bike Rack Direct Bury	1

- 1 Use bike rack to locate ground hole location.
- 2 Drill holes in ground as shown.
- 3 Support the bike rack in the holes and fill the holes with concrete.
- 4 Remove the supports after the concrete has set.

In accordance to California law: WARNING - This product contains a chemical known to the State of California to cause cancer and birth defects or other reproductive harm.



PREMIER POLYSTEEL

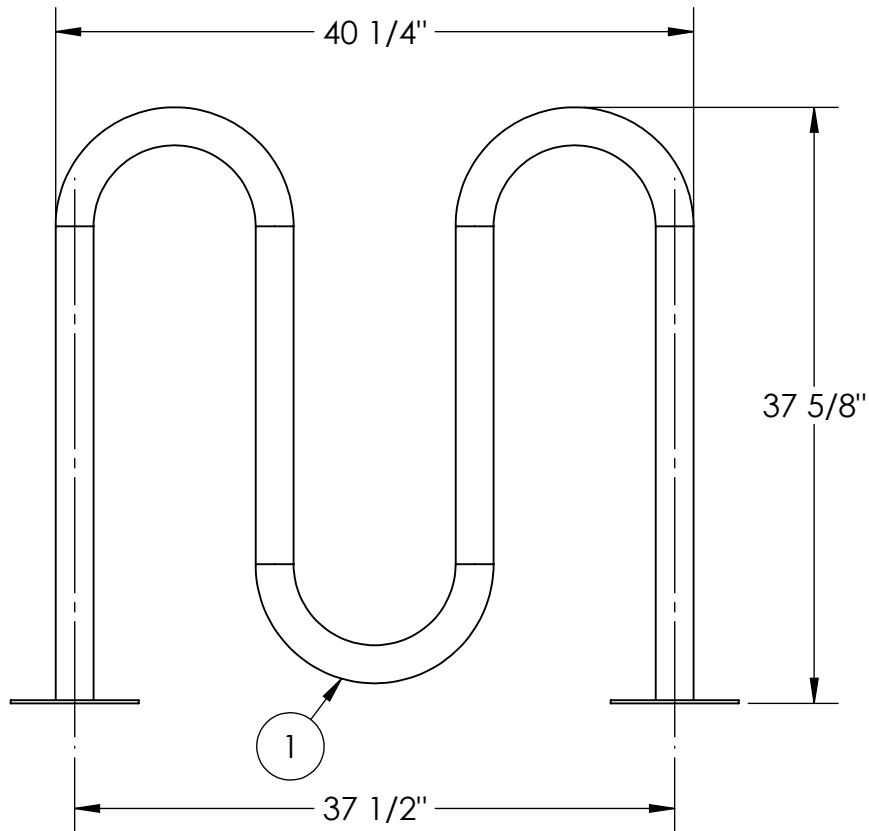
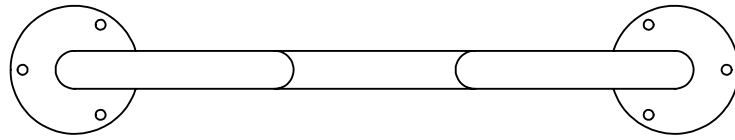
The Best Commercial Outdoor Furniture Available. Period.





2 Loop Bike Rack Surface Mount

997-503



1. Drill plastic out of the mounting holes with a 7/16" dia. drill bit.
2. Position bike rack where desired.
3. Secure to the surface with the appropriate fasteners.

In accordance to California law: WARNING - This product contains a chemical known to the State of California to cause cancer and birth defects or other reproductive harm.

ITEM NO.	PART NUMBER	DESCRIPTION	QTY.
1	651-029	2 Loop Bike Rack Surface Mount	1



PREMIER POLYSTEEL

The Best Commercial Outdoor Furniture Available. Period.



SIZE
A

REV. X.01 SHEET 1 OF 1