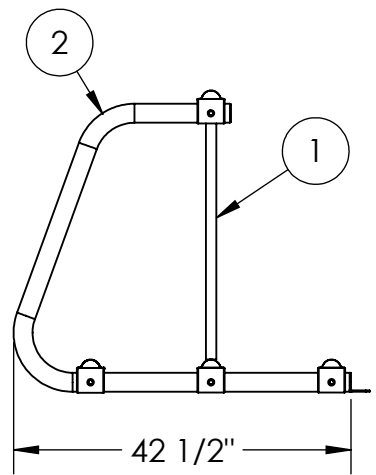
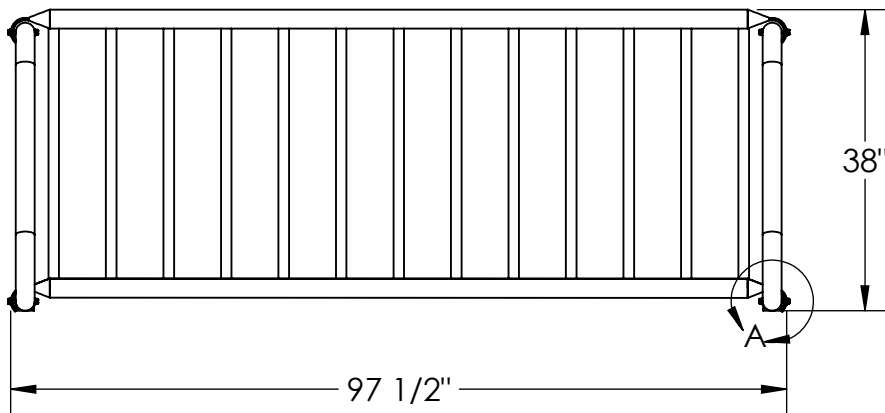
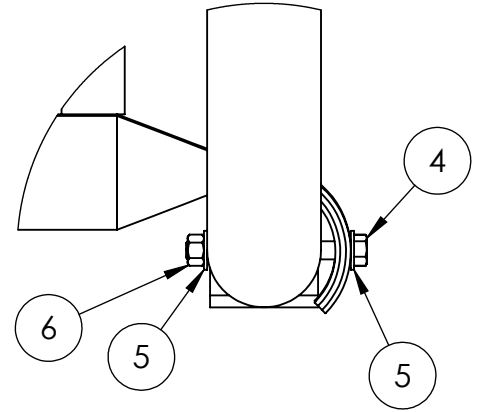
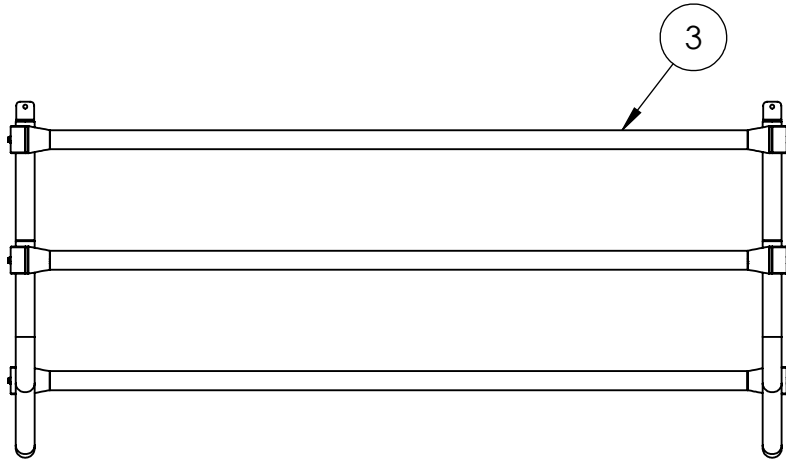




Premier Bike Rack For 12 Bikes, 2 Sided, 8' Gate Style Free Standing/Surface Mount

997-008

DETAIL A
SCALE 1 : 4



1. Drill plastic out of the mounting holes on the ends, rails and fence using a 7/16" dia. drill bit.
2. Fasten the fence to the rack ends loosely.
3. Fasten the rails to the rack ends loosely.
4. Check the alignment of the parts and tighten all bolts securely.

In Accordance to California law: WARNING This product contains a chemical known to the State of California to cause cancer and birth defects or other reproductive harm.

ITEM NO.	PART NUMBER	DESCRIPTION	QTY.
1	651-005	8' Bike Fence	1
2	651-001	Bike Rack End	2
3	651-006	8' Bottom Rail	2
4	516-029	3/8" X 3-1/2" SS Hex Bolt	8
5	516-023	3/8" SS Flat Washer	16
6	516-028	3/8" SS Nylock Nut	8



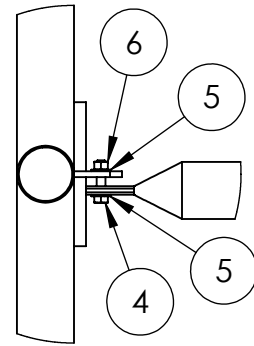
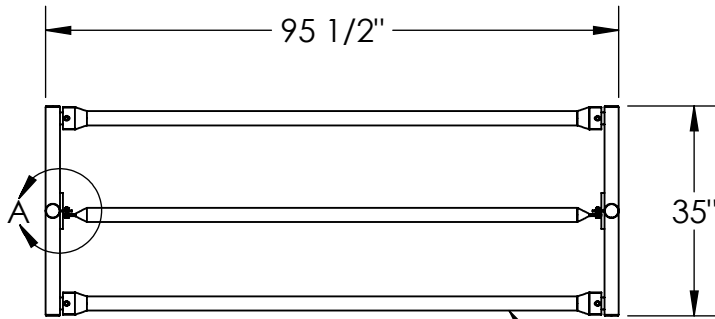
PREMIER POLYSTEEL

The Best Commercial Outdoor Furniture Available. Period.

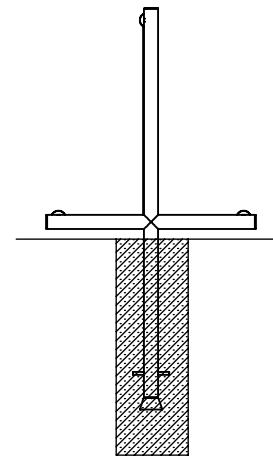
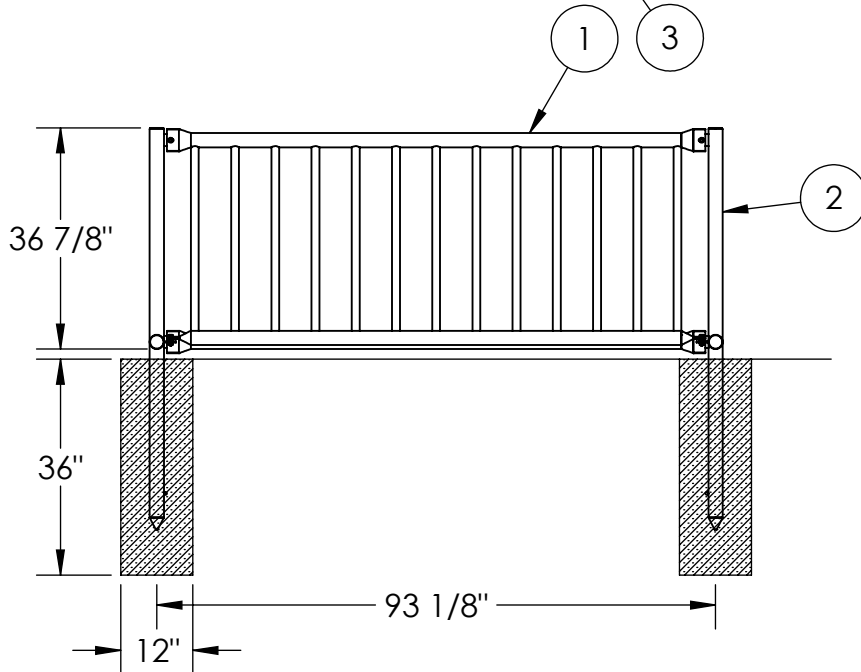


SIZE
A

REV. X.01 SHEET 1 OF 1



DETAIL A
SCALE 1 : 8



1. Drill plastic out of the mounting holes on the ends, rails and fence using a 7/16" dia. drill bit.
2. Fasten the fence to the rack ends loosely.
3. Fasten the rails to the rack ends loosely.
4. Check the alignment of the parts and tighten all bolts securely.
5. Drill two 12" diameter holes in the ground per the above drawing.
6. Position bike rack in holes and level.
7. Fill holes with concrete no higher than ground level.

In Accordance to California law: WARNING This product contains a chemical known to the State of California to cause cancer and birth defects or other reproductive harm.

ITEM NO.	PART NUMBER	DESCRIPTION	QTY.
1	651-012	8' Direct Bury Bike Fence	1
2	651-011	Direct Bury Bike Rack End	2
3	651-013	8' Bottom Rail Direct Bury	2
4	516-058	3/8"x1-1/2" SS Hex Bolt	8
5	516-023	3/8" SS Flat Washer	16
6	516-028	3/8" SS Nylock Nut	8



PREMIER POLYSTEEL

The Best Commercial Outdoor Furniture Available. Period.

