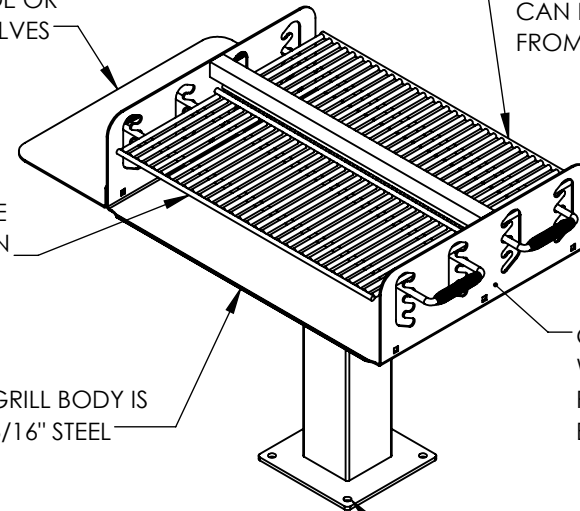


3/16" STEEL SIDE SHELF CAN BE BOLTED EITHER SIDE OR OPTIONAL DUAL SHELVES

COOKING SURFACE IS 1/2" DIA RODS ON 1" CENTERS, 1,000 SQUARE INCHES

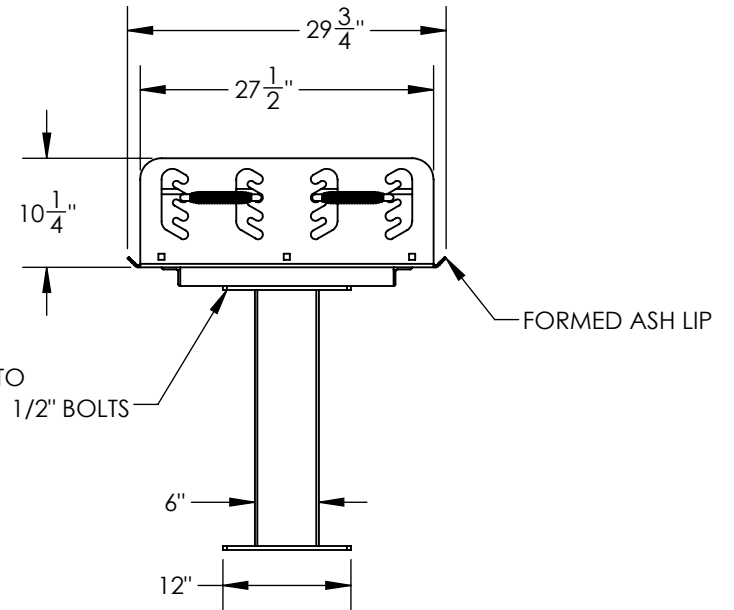
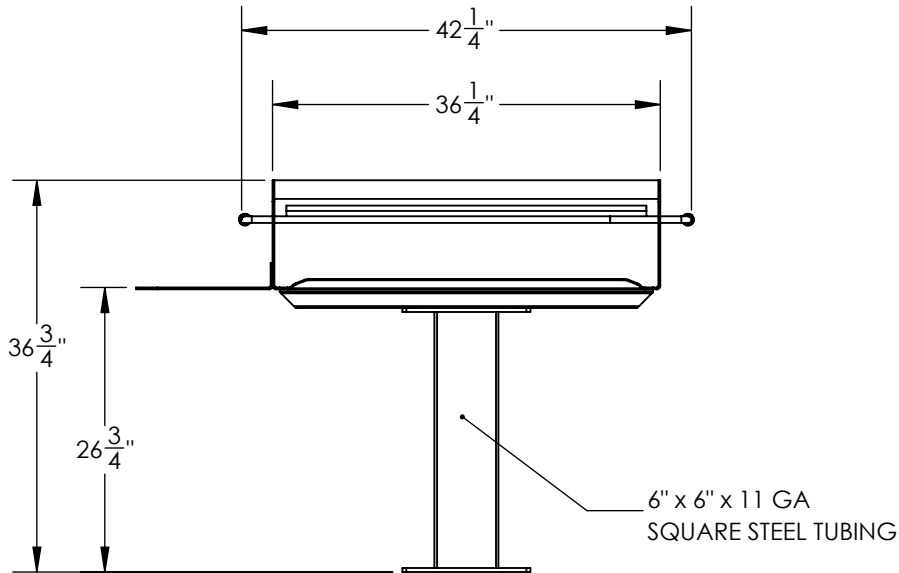
GRILL BODY IS 3/16" STEEL

COOKING GRATE HAS 4 LEVELS OF ADJUSTMENT & CAN NOT BE REMOVED FROM GRILL BODY.



GRILL IS FINISHED WITH HIGH HEAT RESISTANT, BLACK ENAMEL PAINT.

1/2"x6" ANCHOR BOLTS PROVIDED FOR SURFACE MOUNT



GRILL BODY BOLTED TO PEDESTAL WITH 1/2"x1 1/2" BOLTS

SB3628U

SPECIFICATIONS SUBJECT TO CHANGE WITHOUT NOTICE.

DESC: •GROUP GRILL 3/16" THICK W/2 ADJ. COOKING GRATE

SHEET 1 OF 1