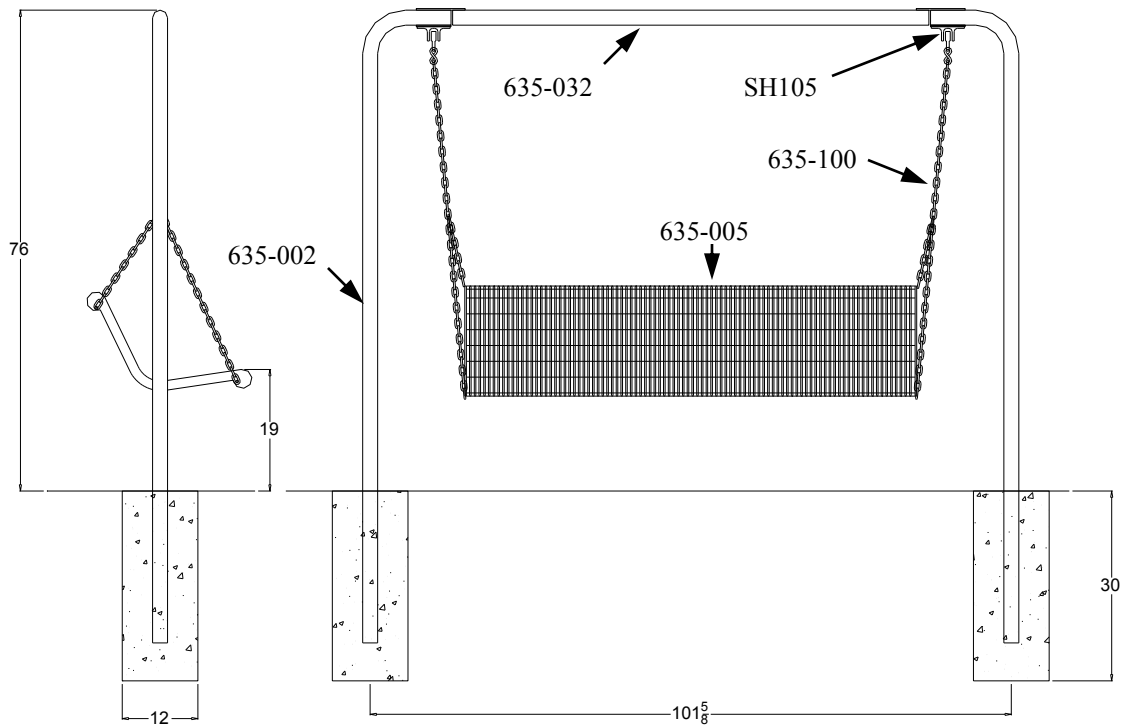




939-S12



Part No.	Description	Qty.
623-005	6' Grand Contour Seat	1
635-002	Contour Swing Post	2
635-032	6' Contour Swing Brace	1
635-100	Contour Swing Chain Harness	2
SH105	Beam Hanger	2
H-14	3/8" S-Hook	2
516-058	3/8"x1-1/2" SS Hex Bolt	4
516-028	3/8" SS Nylock Nut	4
516-023	3/8" SS Flat Washer	8
516-064	1/2"x4" SS Hex Bolt	4
516-036	1/2" SS Nylock Nut	4
516-027	1/2" SS Flat Washer	4



PREMIER POLYSTEEL

The Best Commercial Outdoor Furniture Available. Period.





939-S12

- 1 Drill out the plastic from the holes in the swing posts and brace with a 1/2" dia. drill bit.
- 2 Fasten the brace and beam hangers to the posts as shown on page one using the 1/2" x 4" Hex bolts, nuts and washers.
- 3 Determine location of ground holes and auger out dirt as shown on page one.
- 4 Set the posts in the holes and support with bracing. Make sure that the posts are plumb before filling the holes with concrete.
- 5 Fill holes with concrete to about 2" below the normal ground height. We also suggest that you crown the top of the concrete so that water will run off it.
- 6 Let the concrete cure for several days before removing the bracing and attaching the bench.
- 7 Drill out the 4 holes at each end of the bench located in the circles at the front and top, using a 7/16" dia. drill bit. *Do not drill out the slots located along the straight edges between the circle ends.*
- 8 The chain harness has 3 different lengths of chain attached to it. The shortest length of chain attaches to the top of the bench back. The longest length of chain attaches to the front of the bench seat. The remaining chain attaches to the beam hanger. The Contour bench has a definite seat and back. The back has one support bar running from end to end and the seat has two.
- 9 Using the 3/8" x 1-1/2" bolts, nuts and washers fasten the ends of the short and long chain to the end of the bench as instructed in line 8.
- 10 Attach the end of the remaining length of chain to the beam hanger using the S-Hooks. You can shorten the chain if you want the bench to be higher off the ground. Be sure to close the S-Hooks completely.

In Accordance to California law: WARNING This product contains a chemical known to the State of California to cause cancer and birth defects or other reproductive harm.

Periodic check of bolt tightness recommended.



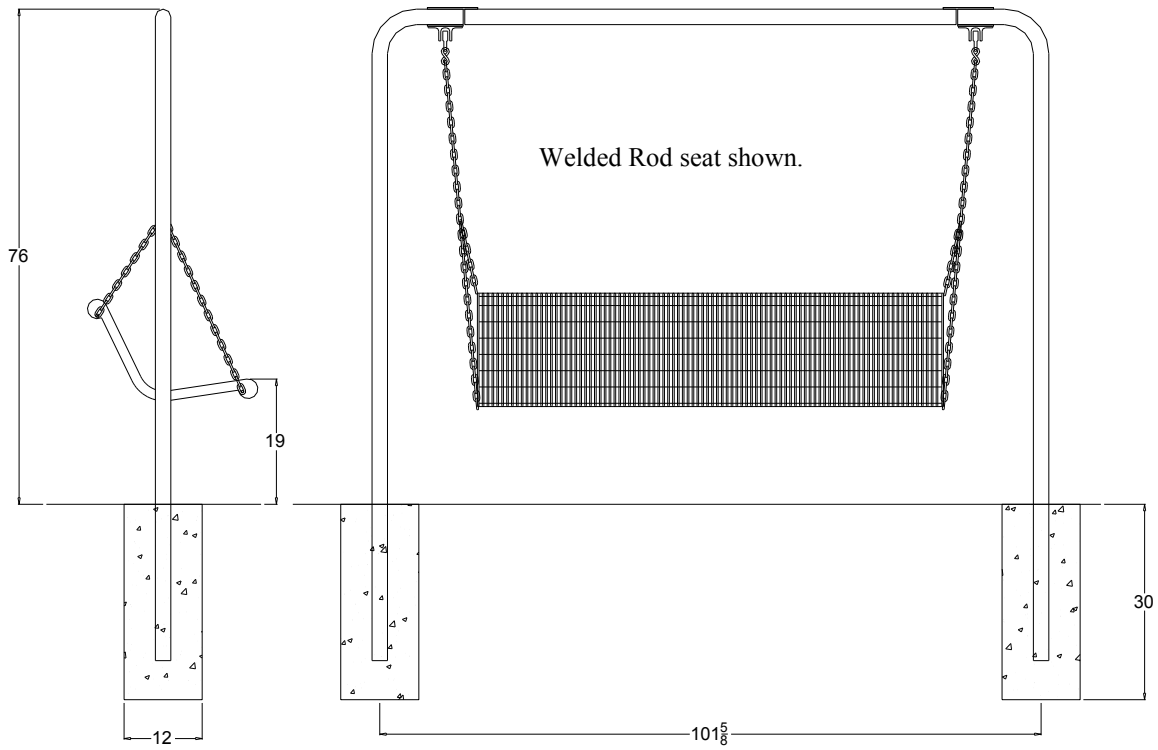
PREMIER POLYSTEEL

The Best Commercial Outdoor Furniture Available. Period.





971-S12

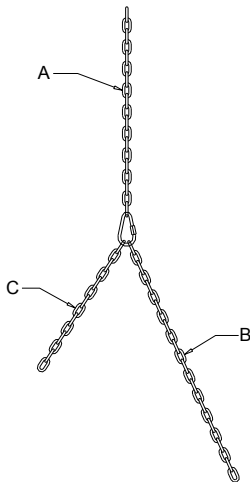


Part No.	Description	Qty.
623-005	6' Grand Contour Laser Seat	1
635-002	Contour Swing Post	2
635-032	6ft Contour Swing Brace	1
635-100	Contour Swing Chain Harness	2
SH105	Wood Beam Hanger	2
H-14	S-HOOK	2
516-058	3/8" X 1-1/2" SS Hex Bolt	4
516-028	3/8" SS Nylock Nut	4
516-023	3/8" SS Flat Washer	8
516-065	1/2" X 5" SS Hex Bolt	4
516-036	1/2" SS Nylock Nut	4
516-027	1/2" SS Flat Washer	4



- 1 Drill the plastic out of the mounting holes on the Swing Post and Swing Brace using a 1/2" dia. drill bit.
- 2 Fasten the Post, Brace and Wood Beam Hanger together using the 1/2" x 5" Hex Bolts, 1/2" Washers and 1/2" Nylock Nuts as shown. Repeat on the other end of the Brace using another Post and Wood Beam Hanger.
- 3 Tighten all of the bolts.
- 4 Locate the swing and drill two 12" dia holes or larger in the ground as shown.
- 5 Secure the posts in the holes and fill the holes with concrete.
- 6 Drill the plastic out of the bench mounting holes located at both ends of the bench. Use a 7/16" dia. Drill bit.
- 7 Attach the Chain Harness to the Contour Seat as indicated below. Use the 3/8" x 1-1/2" Hex Bolts, 3/8" Washers and 3/8" Nylock Nuts.
- 8 Attach the S-Hooks to the Chain Harness as indicated below.
- 9 When the concrete has set attach the other end of the S-Hooks to the Wood Beam Hanger. Be sure to crimp the S-Hooks completely.
- 10 Make sure all fasteners are secure.

In Accordance to California law: WARNING This product contains a chemical known to the State of California to cause cancer and birth defects or other reproductive harm.

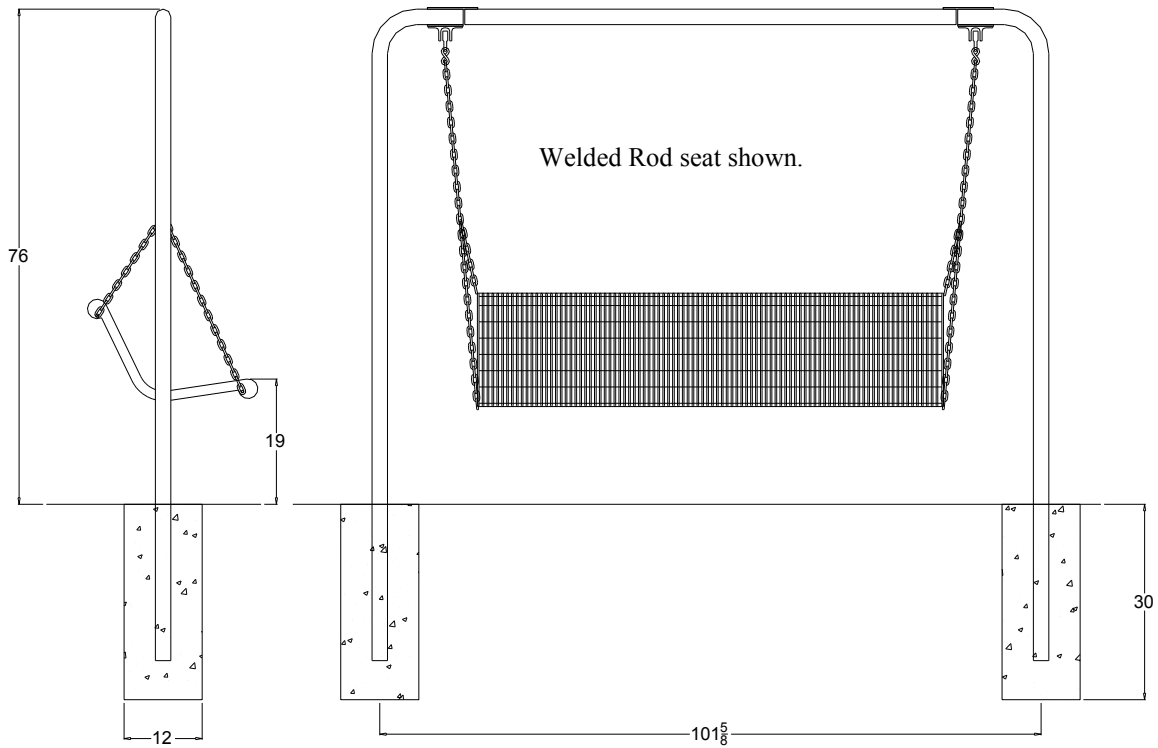


- A. (APPROX. 24" Long) Attaches to the S-Hook which attaches to the Wood Beam Hanger.
- B. (APPROX. 30" Long) Attaches to the front of the Contour Seat.
- C. (APPROX. 18" Long) Attaches to the back of the Contour Seat.

Periodic check of bolt tightness recommended.



974-S12



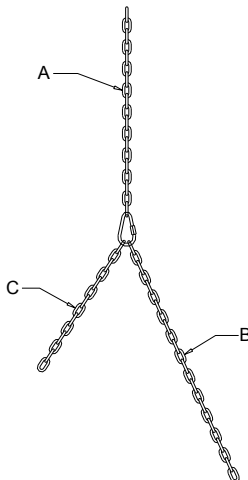
Part No.	Description	Qty.
623-015	6' Grand Contour Exp Seat	1
635-002	Contour Swing Post	2
635-032	6ft Contour Swing Brace	1
635-100	Contour Swing Chain Harness	2
SH105	Wood Beam Hanger	2
H-14	S-HOOK	2
516-058	3/8" X 1-1/2" SS Hex Bolt	4
516-028	3/8" SS Nylock Nut	4
516-023	3/8" SS Flat Washer	8
516-065	1/2" X 5" SS Hex Bolt	4
516-036	1/2" SS Nylock Nut	4
516-027	1/2" SS Flat Washer	4





- 1 Drill the plastic out of the mounting holes on the Swing Post and Swing Brace using a 1/2" dia. drill bit.
- 2 Fasten the Post, Brace and Wood Beam Hanger together using the 1/2" x 5" Hex Bolts, 1/2" Washers and 1/2" Nylock Nuts as shown. Repeat on the other end of the Brace using another Post and Wood Beam Hanger.
- 3 Tighten all of the bolts.
- 4 Locate the swing and drill two 12" dia holes or larger in the ground as shown.
- 5 Secure the posts in the holes and fill the holes with concrete.
- 6 Drill the plastic out of the bench mounting holes located at both ends of the bench. Use a 7/16" dia. Drill bit.
- 7 Attach the Chain Harness to the Contour Seat as indicated below. Use the 3/8" x 1-1/2" Hex Bolts, 3/8" Washers and 3/8" Nylock Nuts.
- 8 Attach the S-Hooks to the Chain Harness as indicated below.
- 9 When the concrete has set attach the other end of the S-Hooks to the Wood Beam Hanger. Be sure to crimp the S-Hooks completely.
- 10 Make sure all fasteners are secure.

In Accordance to California law: WARNING This product contains a chemical known to the State of California to cause cancer and birth defects or other reproductive harm.



- A. (APPROX. 24" Long) Attaches to the S-Hook which attaches to the Wood Beam Hanger.
- B. (APPROX. 30" Long) Attaches to the front of the Contour Seat.
- C. (APPROX. 18" Long) Attaches to the back of the Contour Seat.

Periodic check of bolt tightness recommended.

