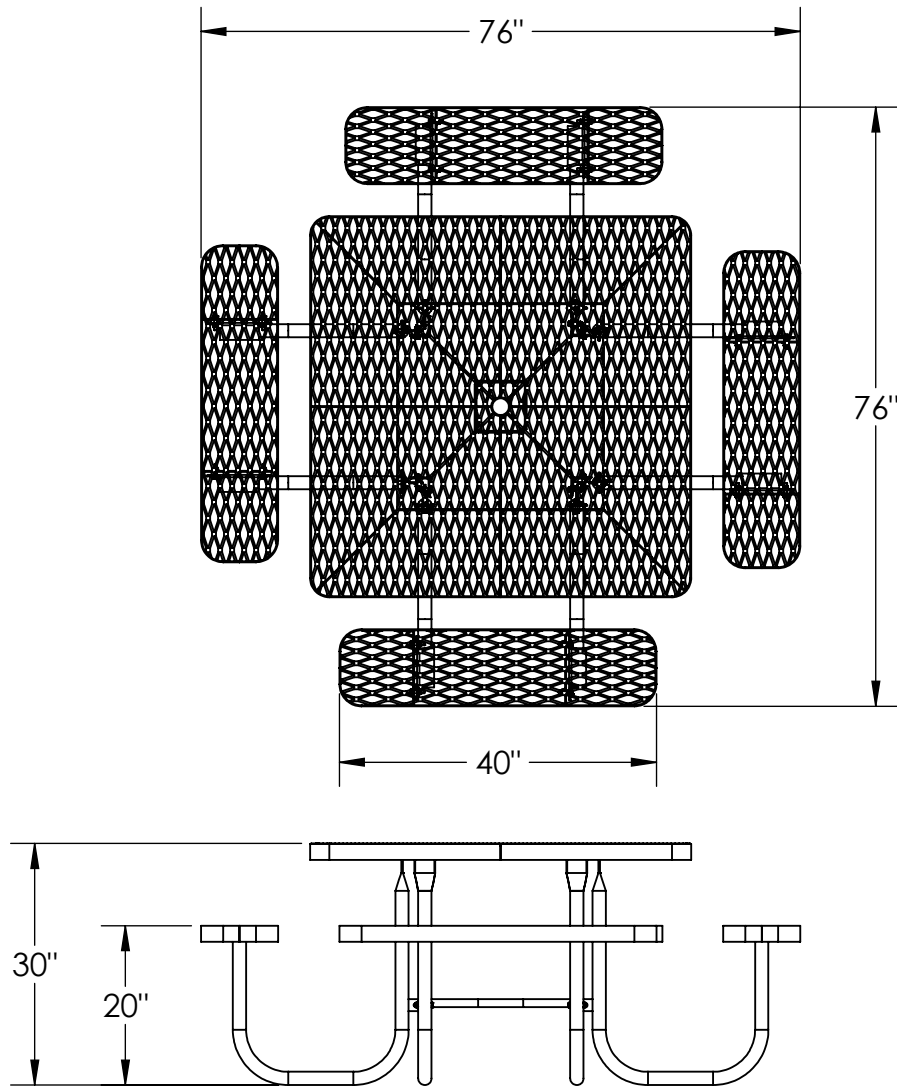


Champion Sq Picnic Table

926-101



1. With table top upside down bolt 2 opposing legs on to top. Do not tighten the bolts now.
2. Attach “x” shaped leg brace to the 2 legs.
3. Attach the other 6 legs fastening to the “x” shaped leg brace as you go.
4. Attach seats to other end of leg. The vertical portion of the angle iron leg top bolts flush with the seat support bar.
5. Flip the table right side up, level the top and seats, and tighten all of the bolts.

ITEM NO.	PART NUMBER	DESCRIPTION	QTY.
1	642-111	Champion Square Table Top	1
2	634-111	Sq./Rnd Table Free Standing Leg	8
3	634-119	Sq./Rnd Table Leg Support Bracket	1
4	622-019	40" Champion Seat	4
5	516-058	3/8"x1-1/2" SS Hex Bolt	32
6	516-023	3/8" SS Flat Washer	64
7	516-028	3/8" SS Nylock Nut	32

In Accordance to California law:
WARNING This product contains a chemical known to the State of California to cause cancer and birth defects or other reproductive harm.



PREMIER POLYSTEEL

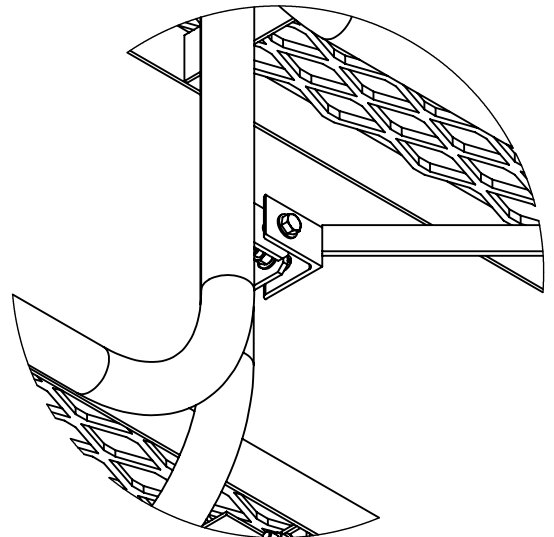
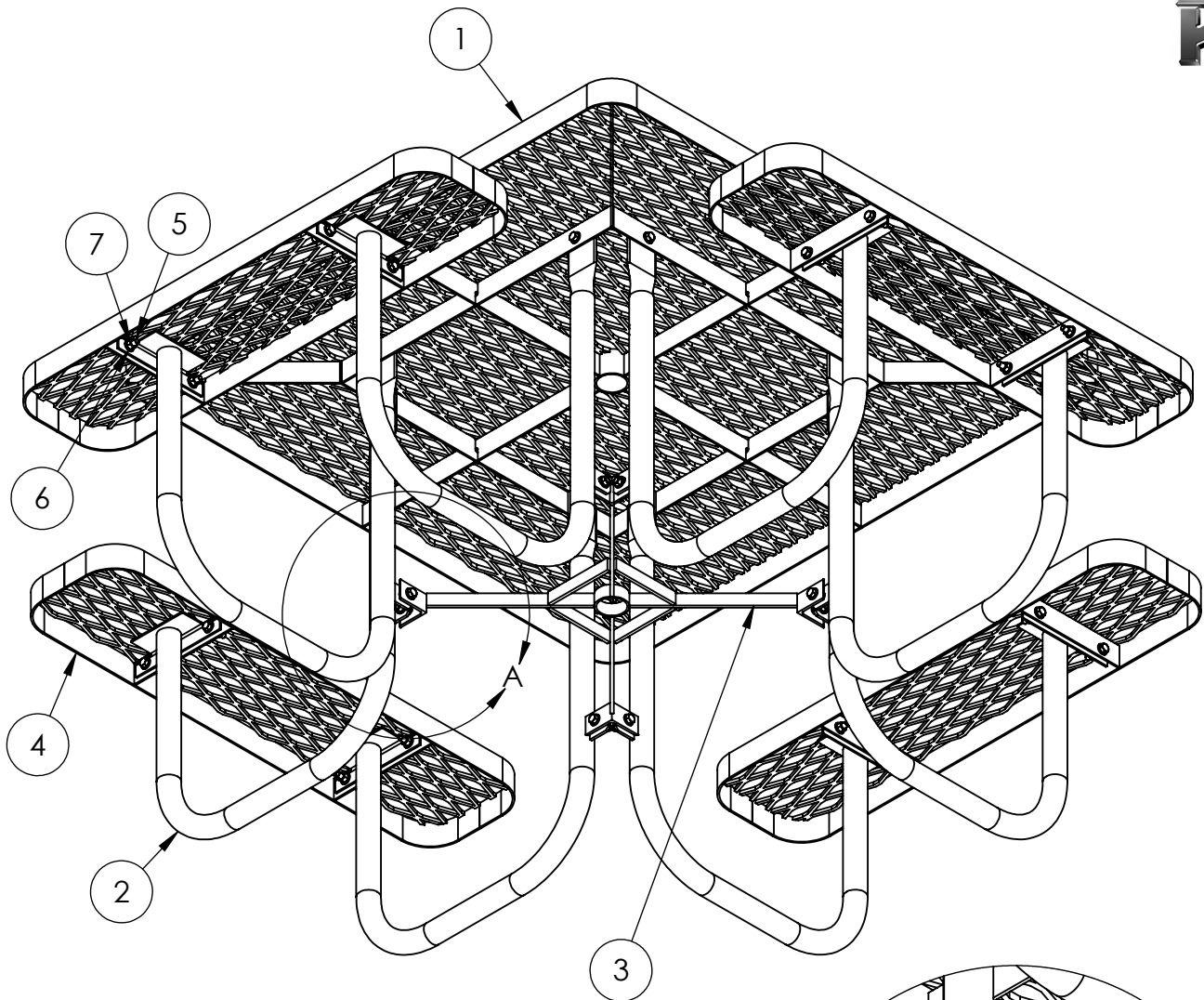
The Best Commercial Outdoor Furniture Available. Period.



SIZE
A

Champion Sq Picnic Table

926-101



DETAIL A
SCALE 1 : 6



PREMIER POLYSTEEL

The Best Commercial Outdoor Furniture Available. Period.

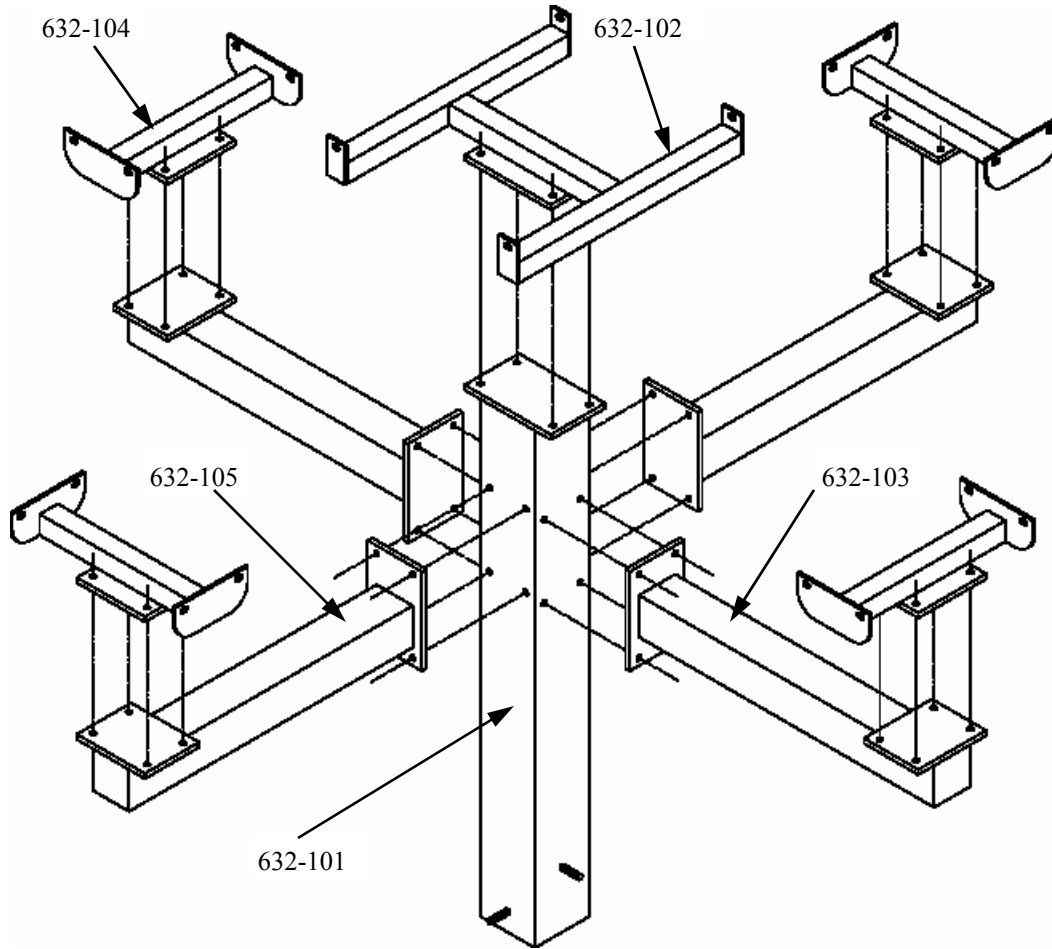


SIZE
A

REV. X.01 | SHEET 2 OF 2



926-108/955-108



Part No.	Description	Qty.
642-111A/642-R11A	48" Champion Sq/Rnd Table Top WO/ Umbrella Hole	1
622-019/622-R11	40" Champion Seat	4
632-101	Center Pedestal Post	1
632-102	Table Top Support	1
632-103	Seat Arms	2
632-104	Seat Supports	4
632-105	Seat Arm for 4' Sq/Rd 1 Ped Tbl	2

The Table Top and Seats are not shown.

Periodic check of bolt tightness recommended.



PREMIER POLYSTEEL

The Best Commercial Outdoor Furniture Available. Period.





926-108 Single Pedestal Direct Bury Square Table

955-108 Single Pedestal Direct Bury Round Table

- 1 Bore a 12-14" diameter hole 36" into the ground.
- 2 Place 4-6" of pea rock in hole.
- 3 Place center pedestal post into the hole.
- 4 Drill out all holes with a 7/16" drill bit. Use a 1/2" drill bit for seat arm end plate holes and center pedestal post holes at their union.
- 5 Bolt the support arms on to the center pedestal post using 1/2"x9" stainless steel hex bolts.
- 6 Bolt seat supports on to the seat arms using 3/8"x2-1/2" stainless steel hex bolts.
- 7 Bolt table top support on to the center pedestal post using 3/8"x2-1/2" stainless steel hex bolts.
- 8 Bolt the table top on to the table top support using 3/8"x1-1/2" stainless steel hex bolts.
- 9 Bolt the seats on to the seat supports using 3/8"x1-1/2" stainless steel hex bolts.
- 10 Level table and adjust to desired height. Recommended height is 20" from the ground to the top of the seats.
- 11 Fill hole with concrete no higher than ground level.

In Accordance to California law: WARNING This product contains a chemical know to the State of California to cause cancer and birth defects or other reproductive harm.

Periodic check of bolt tightness recommended.



PREMIER POLYSTEEL

The Best Commercial Outdoor Furniture Available. Period.

