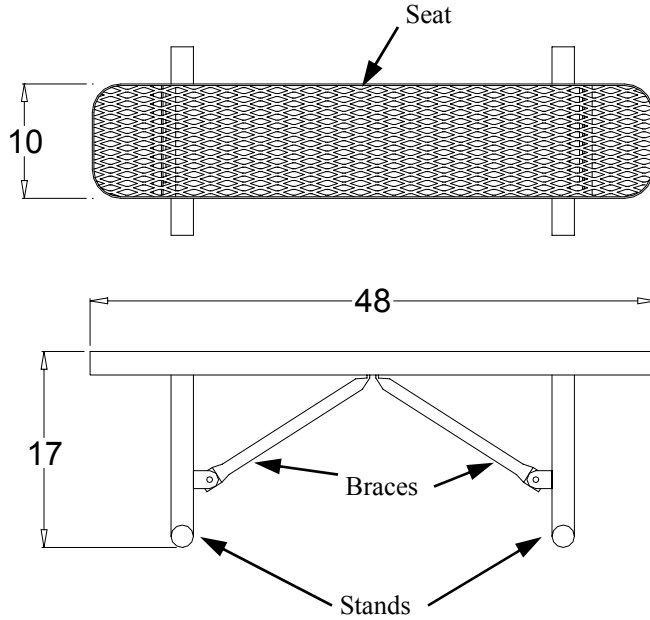
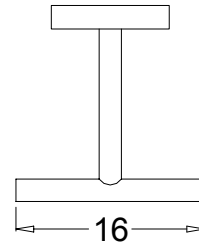




935-101



**935-101 4FT CHAMPION
FREE STANDING
BENCH WITHOUT BACK**



Part No.	Description	Qty.
622-011	4' Champion seat/back	1
631-010	Stand (Free Standing)	2
631-313	Brace (WO/Back)	2
516-058	3/8" x 1-1/2" SS Hex Bolt	6
516-054	3/8" x 2" SS Hex Bolt	1
516-028	3/8" SS Nylock Nut	7
516-023	3/8" SS Washer	14

- 1 Drill plastic out of the mounting holes on the stands, seat and braces using a 7/16" dia. drill bit.
- 2 Fasten the seat to the stands loosely and then fasten the braces to the stands. The braces share the 3/8" X 2" Hex Bolt where they connect to the center of the seat.
- 3 Make sure that the bench sits level and the legs are straight, then tighten all of the bolts.

In Accordance to California law: WARNING This product contains a chemical know to the State of California to cause cancer and birth defects or other reproductive harm.

Periodic check of bolt tightness recommended.



PREMIER POLYSTEEL

The Best Commercial Outdoor Furniture Available. Period.

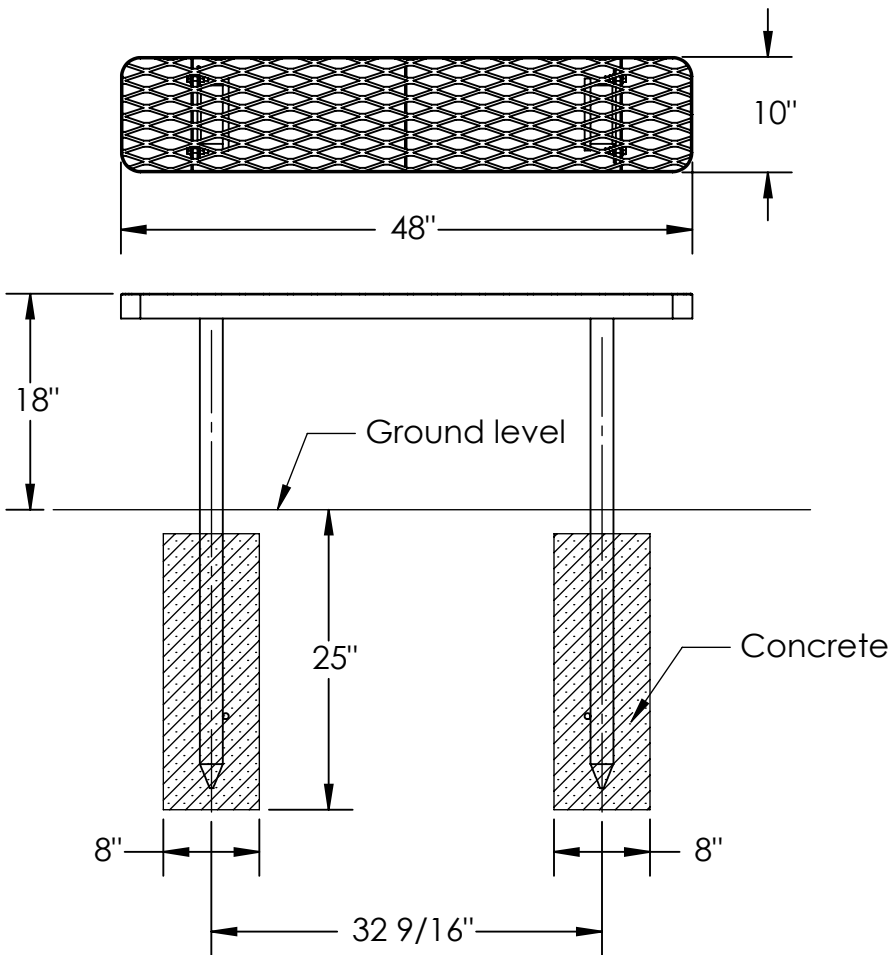
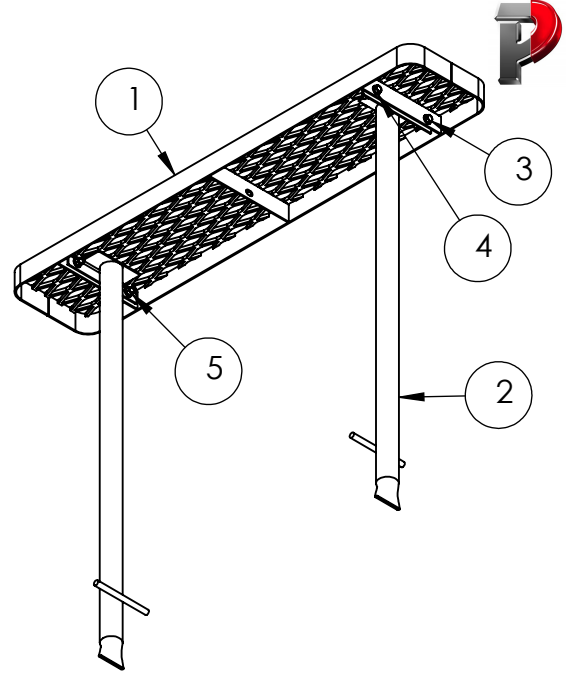


4' Champion Bench without back, Direct Bury

935-102

1. Drill plastic out of the mounting holes on the stands and the seat using a 7/16" dia. drill bit.
2. Attach seat to stands with 3/8" x 1-1/2" SS hex bolts, washers and nuts.
3. Secure in concrete footing as shown.

In Accordance to California law: WARNING This product contains a chemical know to the State of California to cause cancer and birth defects or other reproductive harm.



ITEM NO.	PART NUMBER	DESCRIPTION	QTY.
1	622-011	Champion Seat/Back 4'	1
2	631-020	Bench without Back Stand, Direct Bury	2
3	516-058	3/8"x1-1/2" SS Hex Bolt	4
4	516-023	3/8" SS Flat Washer	8
5	516-028	3/8" SS Nylock Nut	4



PREMIER POLYSTEEL

The Best Commercial Outdoor Furniture Available. Period.

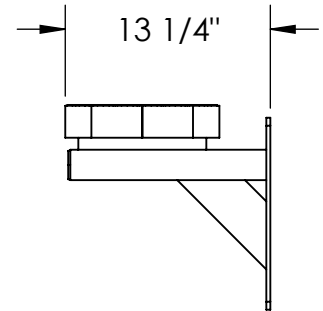
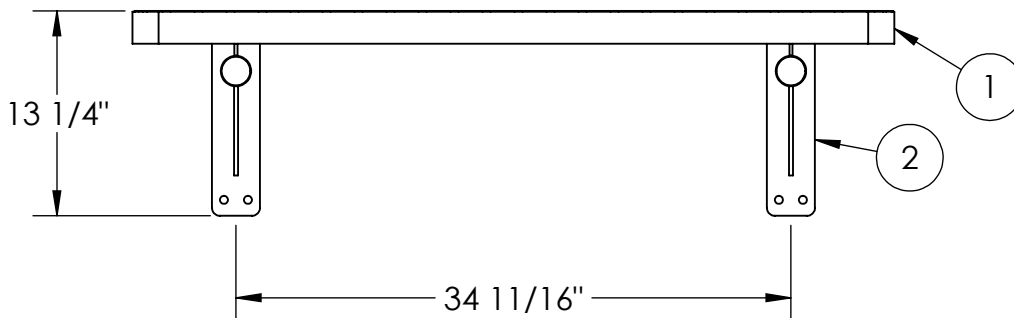
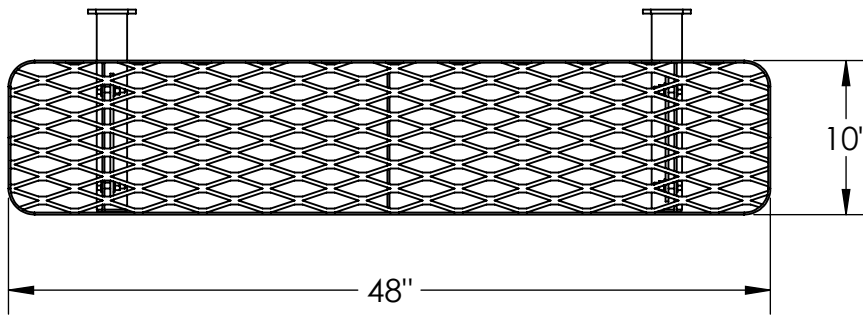
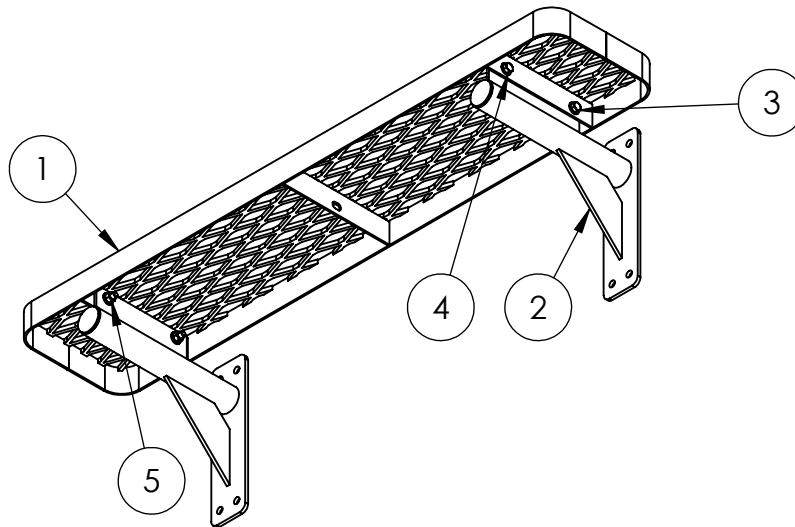


SIZE
A

REV. X.01 | SHEET 1 OF 1

4' Champion Bench, Wall Mount

935-104



1. Drill plastic out of the mounting holes on the stands and seat using a 7/16" dia. drill bit.
2. Fasten the seat to the stands.
3. Anchor to the wall with the appropriate fasteners.

In Accordance to California law: WARNING This product contains a chemical know to the State of California to cause cancer and birth defects or other reproductive harm.

ITEM NO.	PART NUMBER	DESCRIPTION	QTY.
1	622-011	Champion Seat/Back 4'	1
2	634-001	Wall Mount Bracket	2
3	516-058	3/8"x1-1/2" SS Hex Bolt	4
4	516-023	3/8" SS Flat Washer	8
5	516-028	3/8" SS Nylock Nut	4



PREMIER POLYSTEEL

The Best Commercial Outdoor Furniture Available. Period.

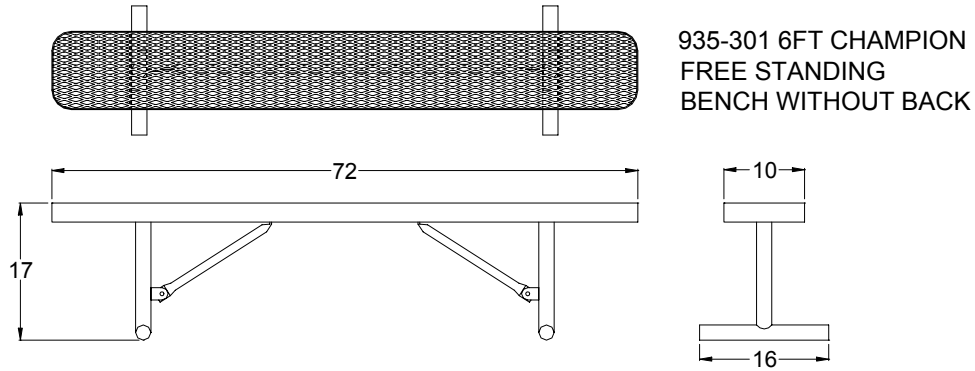


SIZE
A

REV. X.01 SHEET 1 OF 1



935-301



Part No.	Description	Qty.
622-013	6' Champion seat/back	1
631-010	Stand (Free Standing)	2
631-313	Brace (WO/Back)	2
516-058	3/8" x 1-1/2" SS Hex Bolt	8
516-028	3/8" SS Nylock Nut	8
516-023	3/8" SS Washer	16

- 1 Drill plastic out of the mounting holes on the stands, seat and braces using a 7/16" dia. drill bit.
- 2 Fasten the seat to the stands loosely and then fasten the braces to the stands and seat.
- 3 Make sure bench is level and tighten all of the bolts.

In Accordance to California law: WARNING This product contains a chemical know to the State of California to cause cancer and birth defects or other reproductive harm.

Periodic check of bolt tightness recommended.



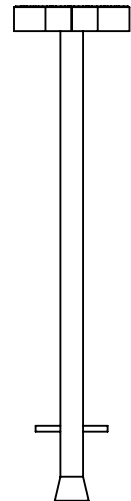
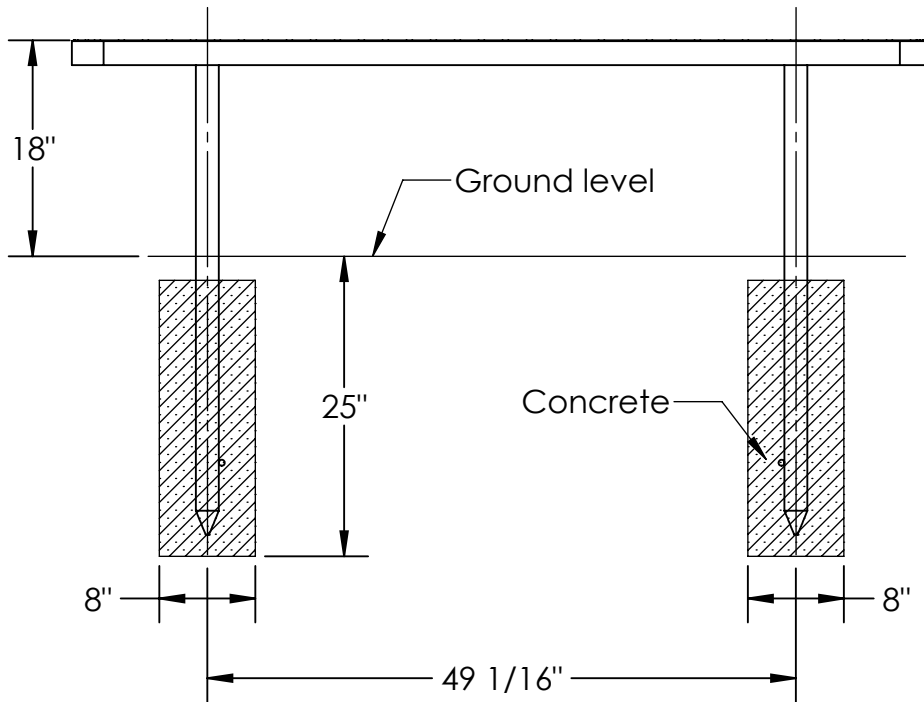
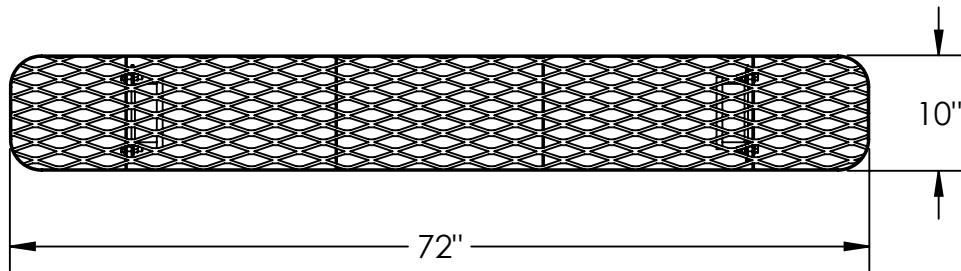
PREMIER POLYSTEEL

The Best Commercial Outdoor Furniture Available. Period.



6' Champion Bench without back, Direct Bury

935-302



1. Drill plastic out of the mounting holes on the stands and the seat using a 7/16" dia. drill bit.
2. Attach seat to stands with 3/8" x 1-1/2" SS hex bolts, washers and nuts.
3. Secure in concrete footing as shown.

In Accordance to California law: WARNING This product contains a chemical know to the State of California to cause cancer and birth defects or other reproductive harm.



PREMIER POLYSTEEL

The Best Commercial Outdoor Furniture Available. Period.

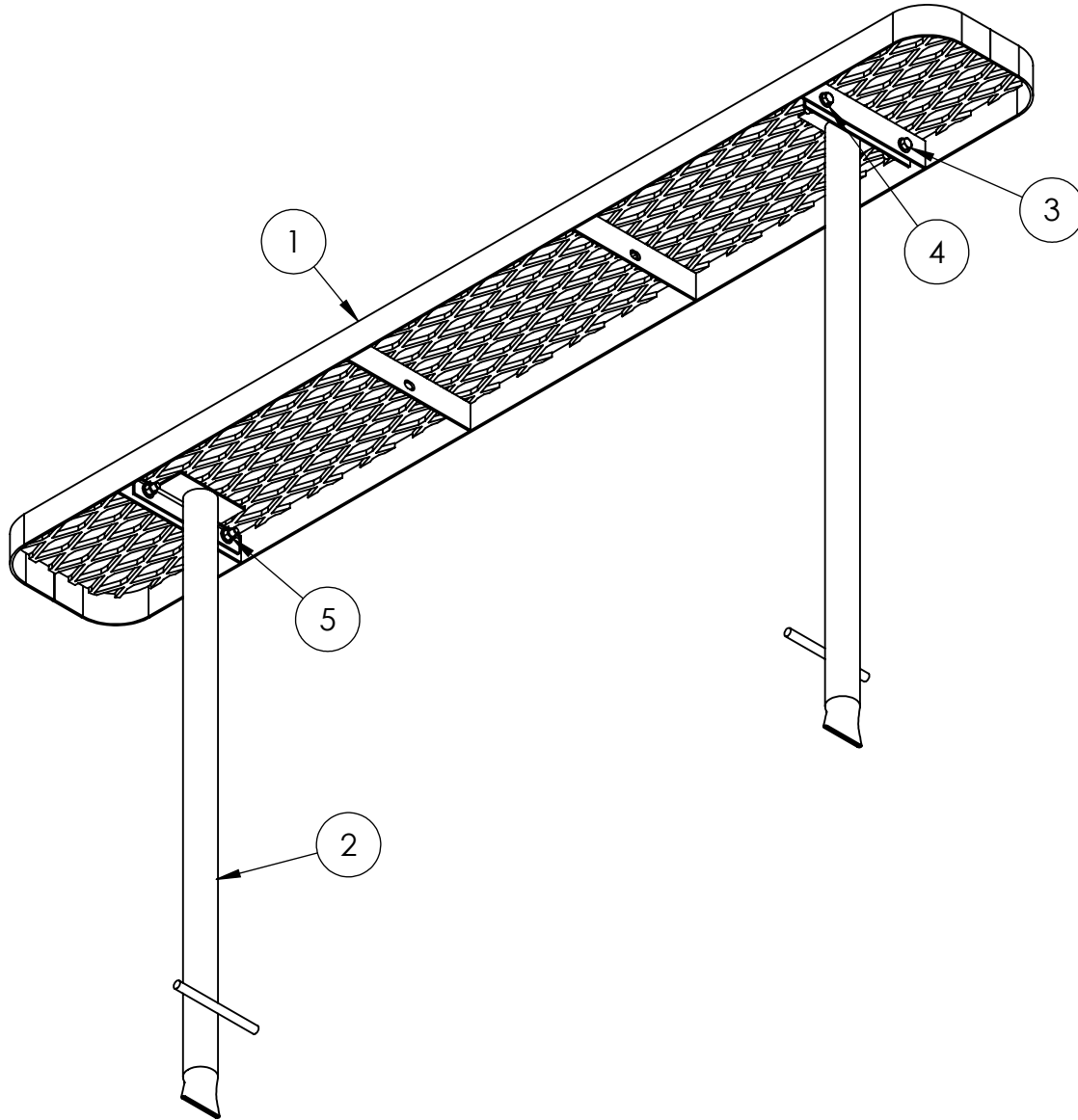


SIZE
A

REV. X.01 SHEET 1 OF 2

6' Champion Bench without back, Direct Bury

935-302



ITEM NO.	PART NUMBER	DESCRIPTION	QTY.
1	622-013	Champion Seat/Back 6'	1
2	631-020	Bench without Back Stand, Direct Bury	2
3	516-058	3/8"x1-1/2" SS Hex Bolt	4
4	516-023	3/8" SS Flat Washer	8
5	516-028	3/8" SS Nylock Nut	4



PREMIER POLYSTEEL

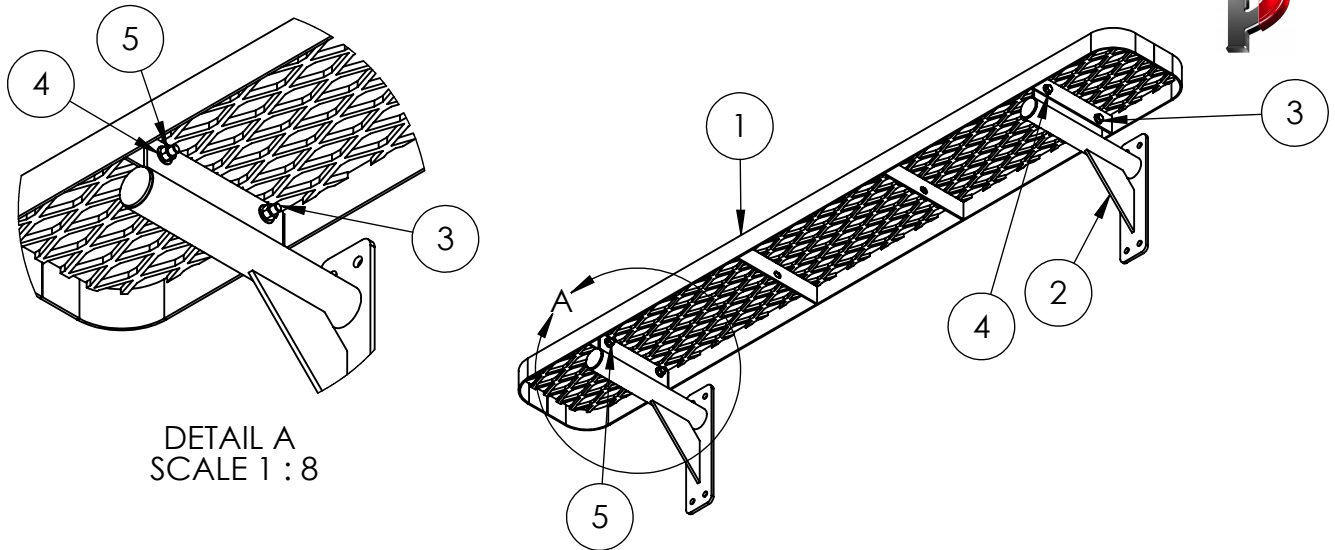
The Best Commercial Outdoor Furniture Available. Period.



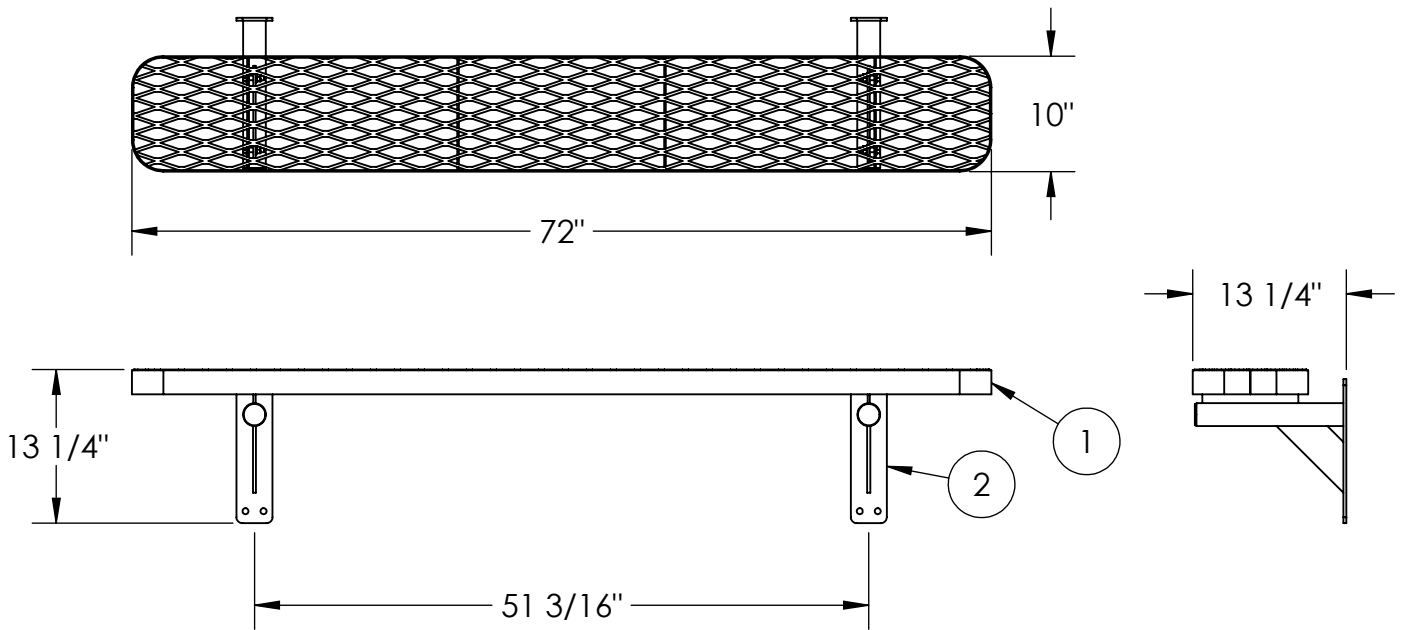
SIZE
A

6' Champion Bench, Wall Mount

935-304



DETAIL A
SCALE 1 : 8



1. Drill plastic out of the mounting holes on the stands and seat using a 7/16" dia. drill bit.
2. Fasten the seat to the stands.
3. Anchor to the wall with the appropriate fasteners.

In Accordance to California law: WARNING This product contains a chemical know to the State of California to cause cancer and birth defects or other reproductive harm.

ITEM NO.	PART NUMBER	DESCRIPTION	QTY.
1	622-013	Champion Seat/Back 6'	1
2	634-001	Wall Mount Bracket	2
3	516-058	3/8"x1-1/2" SS Hex Bolt	4
4	516-023	3/8" SS Flat Washer	8
5	516-028	3/8" SS Nylock Nut	4



PREMIER POLYSTEEL

The Best Commercial Outdoor Furniture Available. Period.

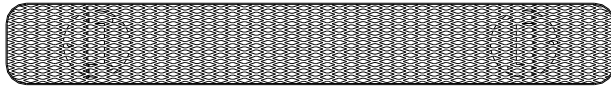


SIZE
A

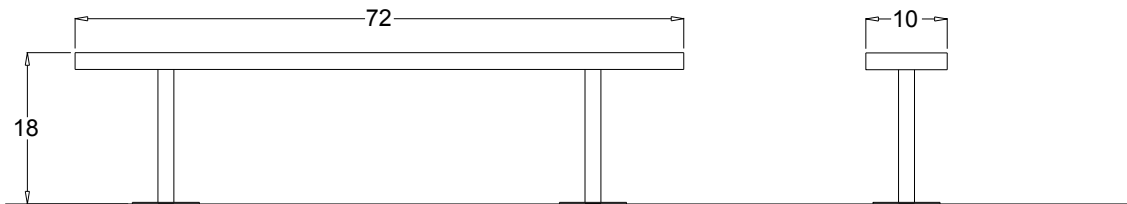
REV. X.01 SHEET 1 OF 1



935-307



935-307 6FT CHAMPION
SURFACE MOUNT
BENCH WITHOUT BACK



Part No.	Description	Qty.
622-013	Champion Seat/Back 6'	1
633-011	Stand (Surface Mount)	2
516-058	3/8" x 1-1/2" SS Hex Bolt	4
516-028	3/8" SS Nylock Nut	4
516-023	3/8" SS Washer	8

- 1 Drill plastic out of the mounting holes on the stands and seat using a 7/16" dia. drill bit.
- 2 Fasten the seat to the stands.
- 3 Anchor to concrete with six 1/2" x 3-1/2" anchor bolts.

In Accordance to California law: WARNING This product contains a chemical know to the State of California to cause cancer and birth defects or other reproductive harm.

Periodic check of bolt tightness recommended.



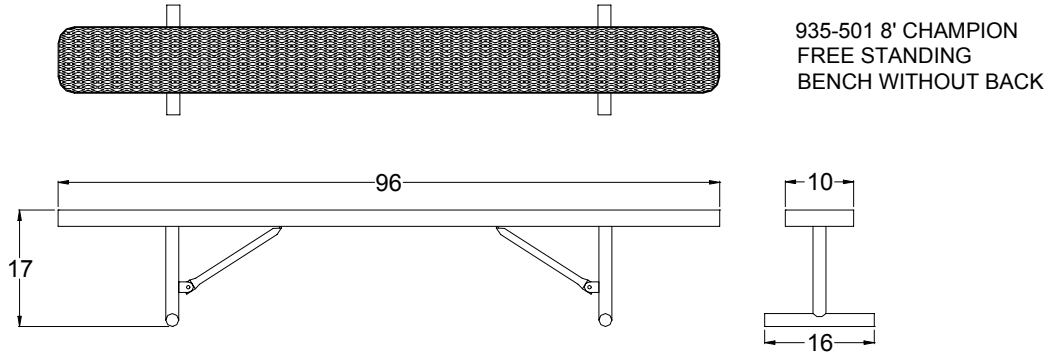
PREMIER POLYSTEEL

The Best Commercial Outdoor Furniture Available. Period.





935-501



Part No.	Description	Qty.
622-015	8' Champion seat/back	1
631-010	Stand (WO/Back) (Free Standing)	2
631-313	Brace (WO/Back)	2
516-058	3/8" x 1-1/2" SS Hex Bolt	8
516-028	3/8" SS Nylock Nut	8
516-023	3/8" SS Washer	16

- 1 Drill plastic out of the mounting holes on the stands, seat and brace using a 7/16" dia. drill bit.
- 2 Fasten the seat to the stands loosely and then fasten the brace to the stands.
- 3 Make sure the bench is level and tighten all of the bolts.

In Accordance to California law: WARNING This product contains a chemical know to the State of California to cause cancer and birth defects or other reproductive harm.

Periodic check of bolt tightness recommended.



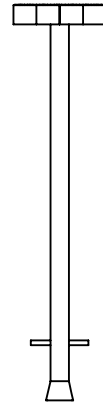
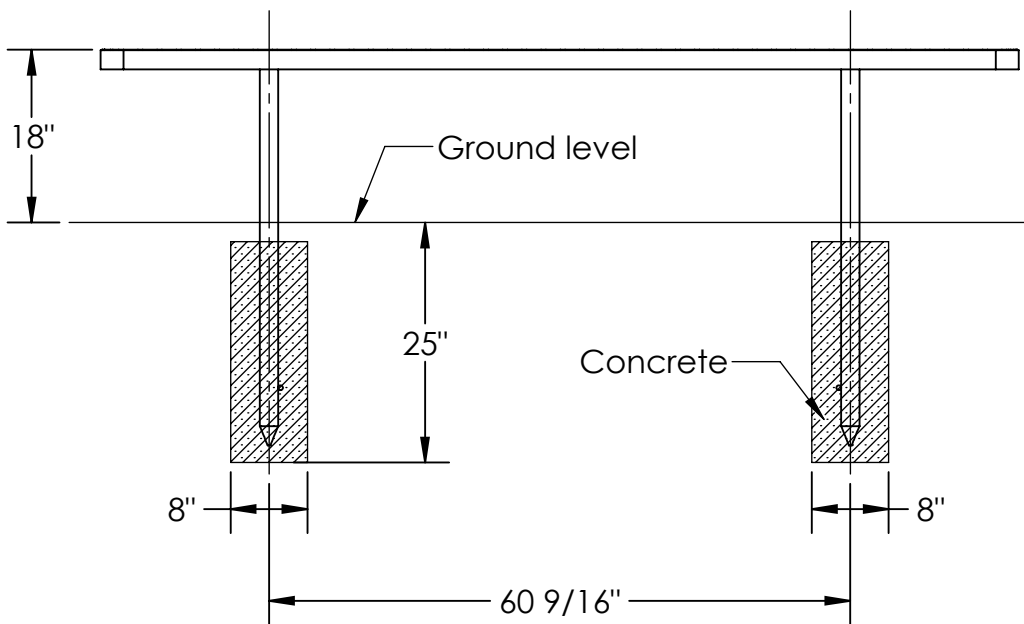
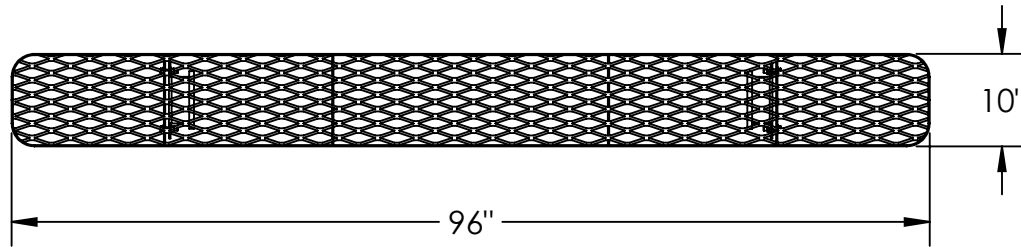
PREMIER POLYSTEEL

The Best Commercial Outdoor Furniture Available. Period.



8' Champion Bench without back, Direct Bury

935-502



1. Drill plastic out of the mounting holes on the stands and the seat using a 7/16" dia. drill bit.
2. Attach seat to stands with 3/8" x 1-1/2" SS hex bolts, washers and nuts.
3. Secure in concrete footing as shown.

In Accordance to California law: WARNING This product contains a chemical know to the State of California to cause cancer and birth defects or other reproductive harm.



PREMIER POLYSTEEL

The Best Commercial Outdoor Furniture Available. Period.

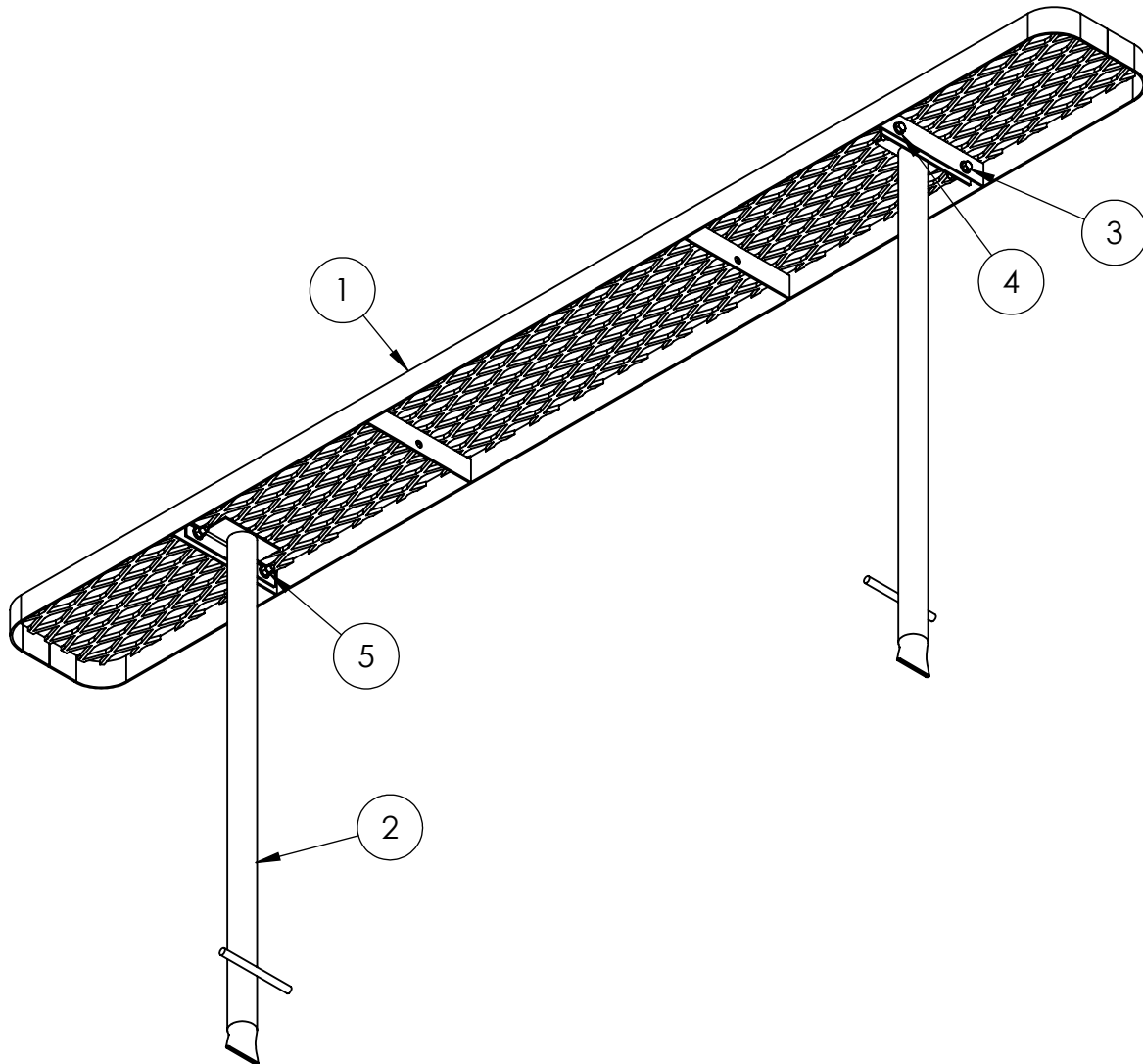


SIZE
A

REV. X.01 SHEET 1 OF 2

8' Champion Bench without back, Direct Bury

935-502



ITEM NO.	PART NUMBER	DESCRIPTION	QTY.
1	622-015	8' Champion Seat/Back	1
2	631-020	Bench without Back Stand, Direct Bury	2
3	516-058	3/8"x1-1/2" SS Hex Bolt	4
4	516-023	3/8" SS Flat Washer	8
5	516-028	3/8" SS Nylock Nut	4



PREMIER POLYSTEEL

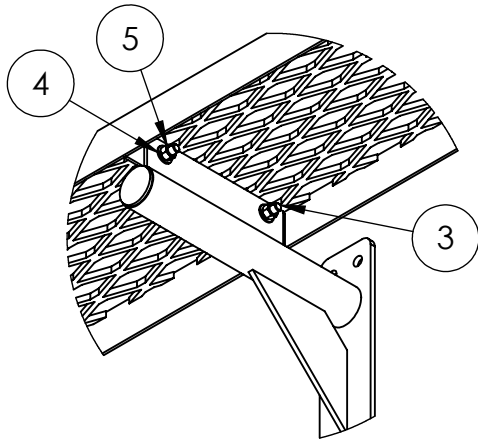
The Best Commercial Outdoor Furniture Available. Period.



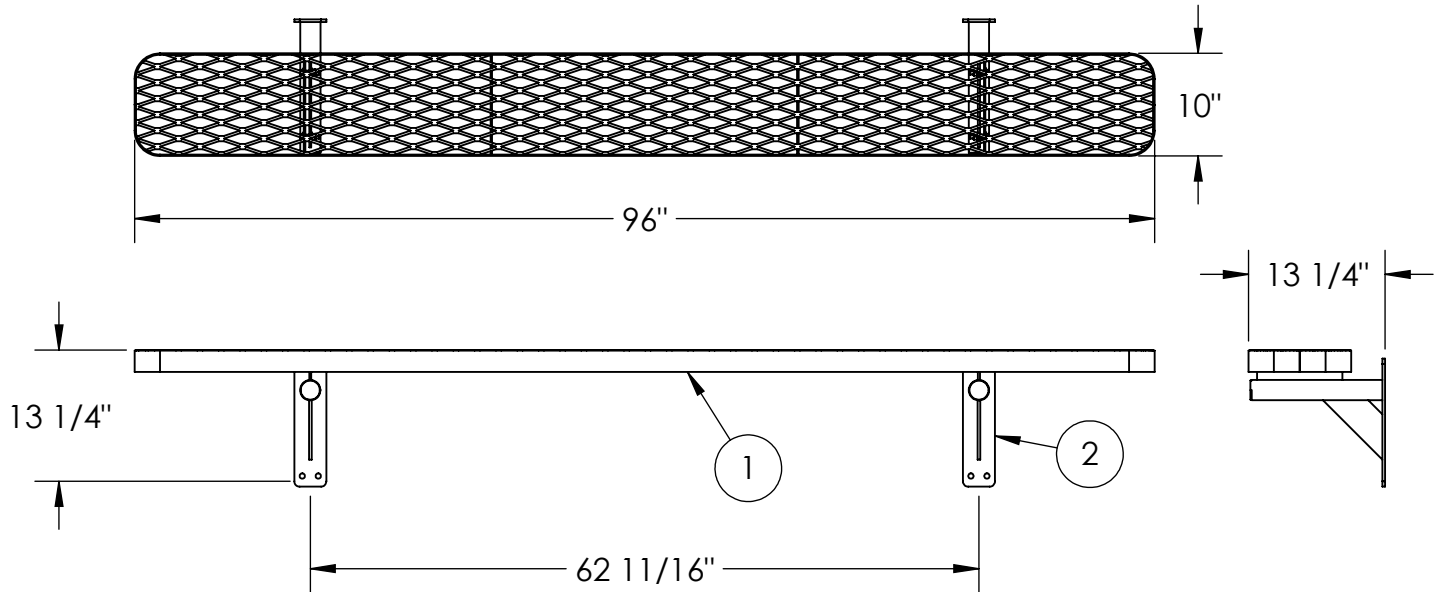
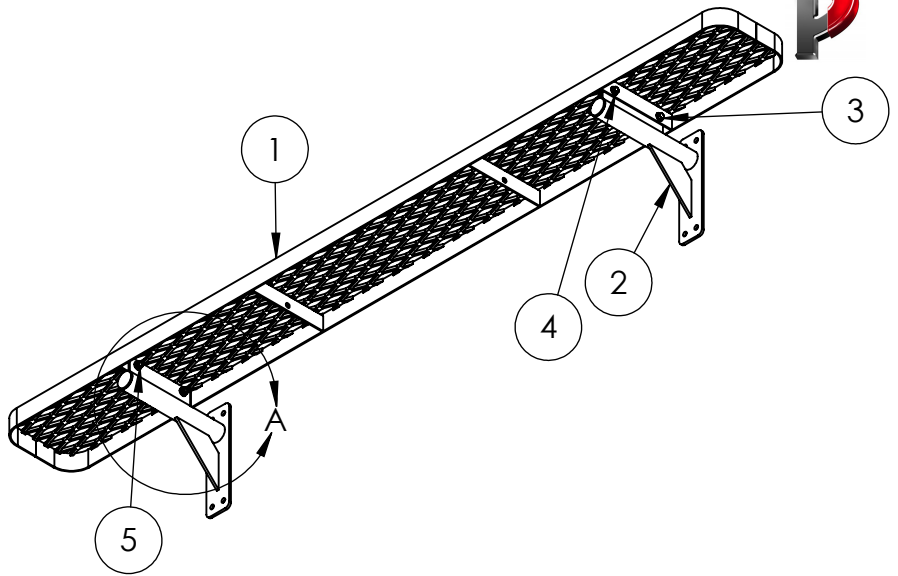
SIZE
A

8' Champion Bench, Wall Mount

935-504



DETAIL A
SCALE 1 : 8



1. Drill plastic out of the mounting holes on the stands and seat using a 7/16" dia. drill bit.
2. Fasten the seat to the stands.
3. Anchor to the wall with the appropriate fasteners.

In Accordance to California law: WARNING This product contains a chemical know to the State of California to cause cancer and birth defects or other reproductive harm.

ITEM NO.	PART NUMBER	DESCRIPTION	QTY.
1	622-015	8' Champion Seat/Back	1
2	634-001	Wall Mount Bracket	2
3	516-058	3/8"x1-1/2" SS Hex Bolt	4
4	516-023	3/8" SS Flat Washer	8
5	516-028	3/8" SS Nylock Nut	4



PREMIER POLYSTEEL

The Best Commercial Outdoor Furniture Available. Period.

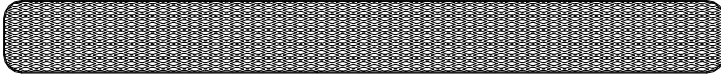


SIZE
A

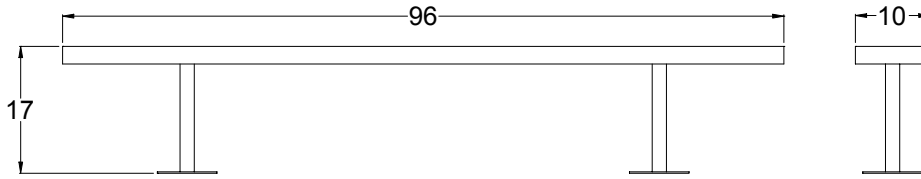
REV. X.01 | SHEET 1 OF 1



935-507



935-507 8' CHAMPION
SURFACE MOUNT
BENCH WITHOUT BACK



Part No.	Description	Qty.
622-015	Champion Seat/Back 8'	1
633-011	Stand (Surface Mount)	2
516-058	3/8" x 1-1/2" SS Hex Bolt	8
516-028	3/8" SS Nylock Nut	8
516-023	3/8" SS Washer	16

- 1 Drill plastic out of the mounting holes on the stands and seat using a 7/16" dia. drill bit.
- 2 Fasten the seat to the stands.
- 3 Anchor to concrete with six 1/2" x 3-1/2" anchor bolts.

In Accordance to California law: WARNING This product contains a chemical know to the State of California to cause cancer and birth defects or other reproductive harm.

Periodic check of bolt tightness recommended.



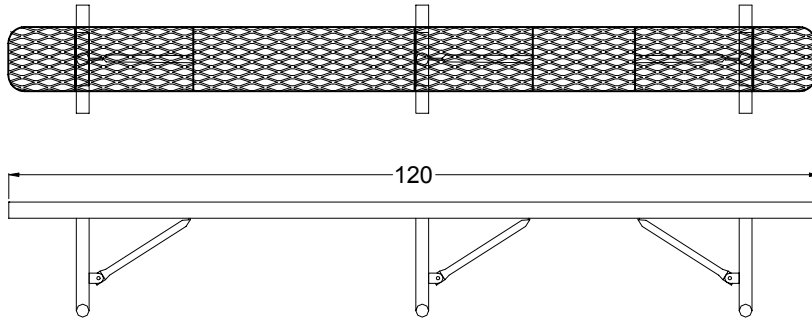
PREMIER POLYSTEEL

The Best Commercial Outdoor Furniture Available. Period.

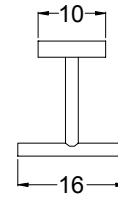




935-601



935-601 10ft CHAMPION
FREE STANDING
BENCH WITHOUT BACK



Part No.	Description	Qty.
622-016	10' Champion seat/back	1
631-010	Stand (WO/Back) (Free Standing)	3
631-313	Brace (WO/Back)	3
516-058	3/8" x 1-1/2" SS Hex Bolt	12
516-028	3/8" SS Nylock Nut	12
516-023	3/8" SS Washer	24

- 1 Drill plastic out of the mounting holes on the stands, seat and braces using a 7/16" dia. drill bit.
- 2 Fasten the seat to the stands loosely and then fasten the brace to the stands.
- 3 Make sure the bench is level and tighten all of the bolts.

In Accordance to California law: WARNING This product contains a chemical know to the State of California to cause cancer and birth defects or other reproductive harm.

Periodic check of bolt tightness recommended.



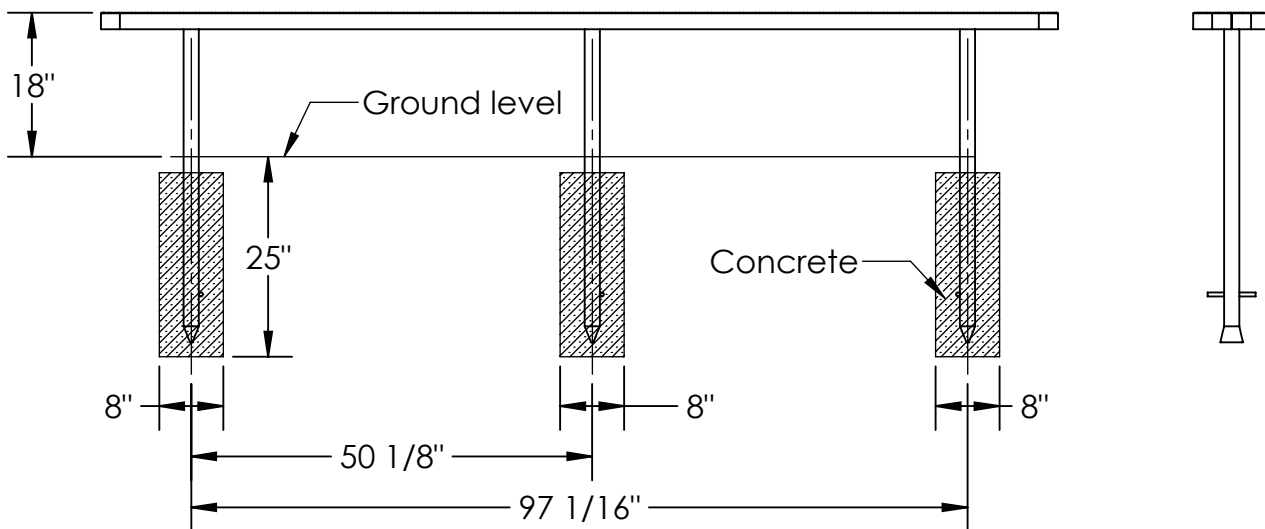
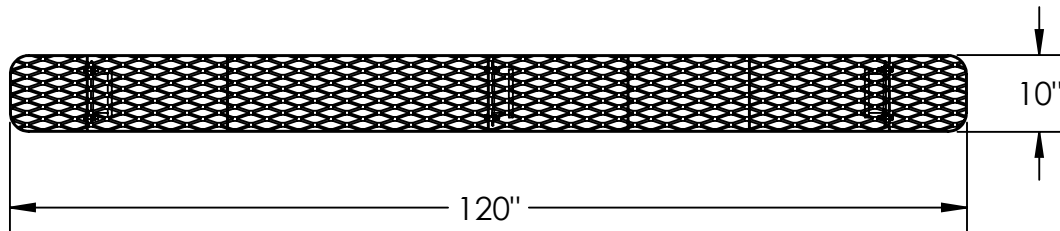
PREMIER POLYSTEEL

The Best Commercial Outdoor Furniture Available. Period.



10' Champion Bench without back, Direct Bury

935-602



1. Drill plastic out of the mounting holes on the stands and the seat using a 7/16" dia. drill bit.
2. Attach seat to stands with 3/8" x 1-1/2" SS hex bolts, washers and nuts.
3. Secure in concrete footing as shown.

In Accordance to California law: WARNING This product contains a chemical know to the State of California to cause cancer and birth defects or other reproductive harm.



PREMIER POLYSTEEL

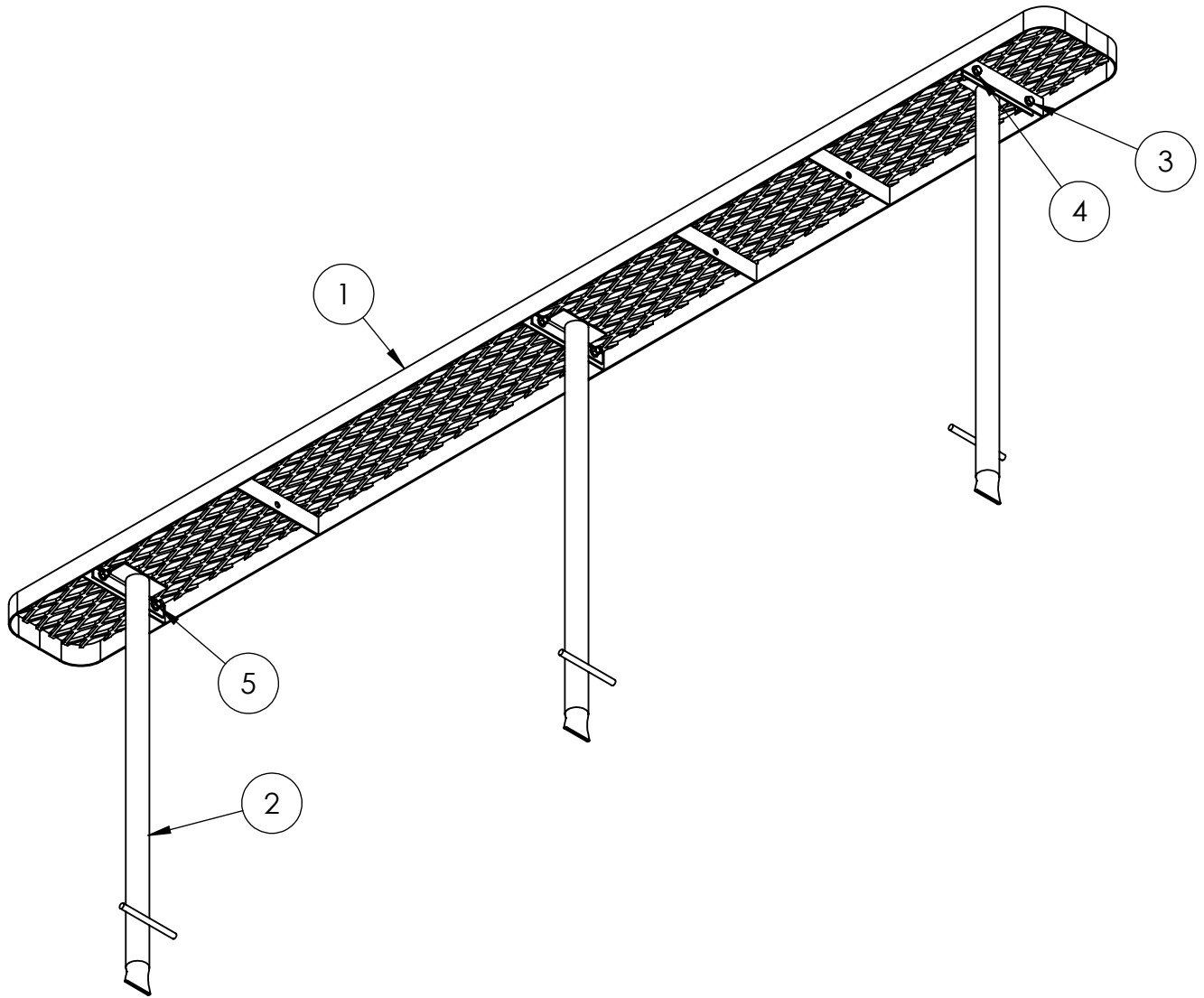
The Best Commercial Outdoor Furniture Available. Period.



SIZE
A

10' Champion Bench without back, Direct Bury

935-602



ITEM NO.	PART NUMBER	DESCRIPTION	QTY.
1	622-016	10' Champion Bench/Back	1
2	631-020	Bench without Back Stand, Direct Bury	3
3	516-058	3/8"x1-1/2" SS Hex Bolt	6
4	516-023	3/8" SS Flat Washer	12
5	516-028	3/8" SS Nylock Nut	6



PREMIER POLYSTEEL

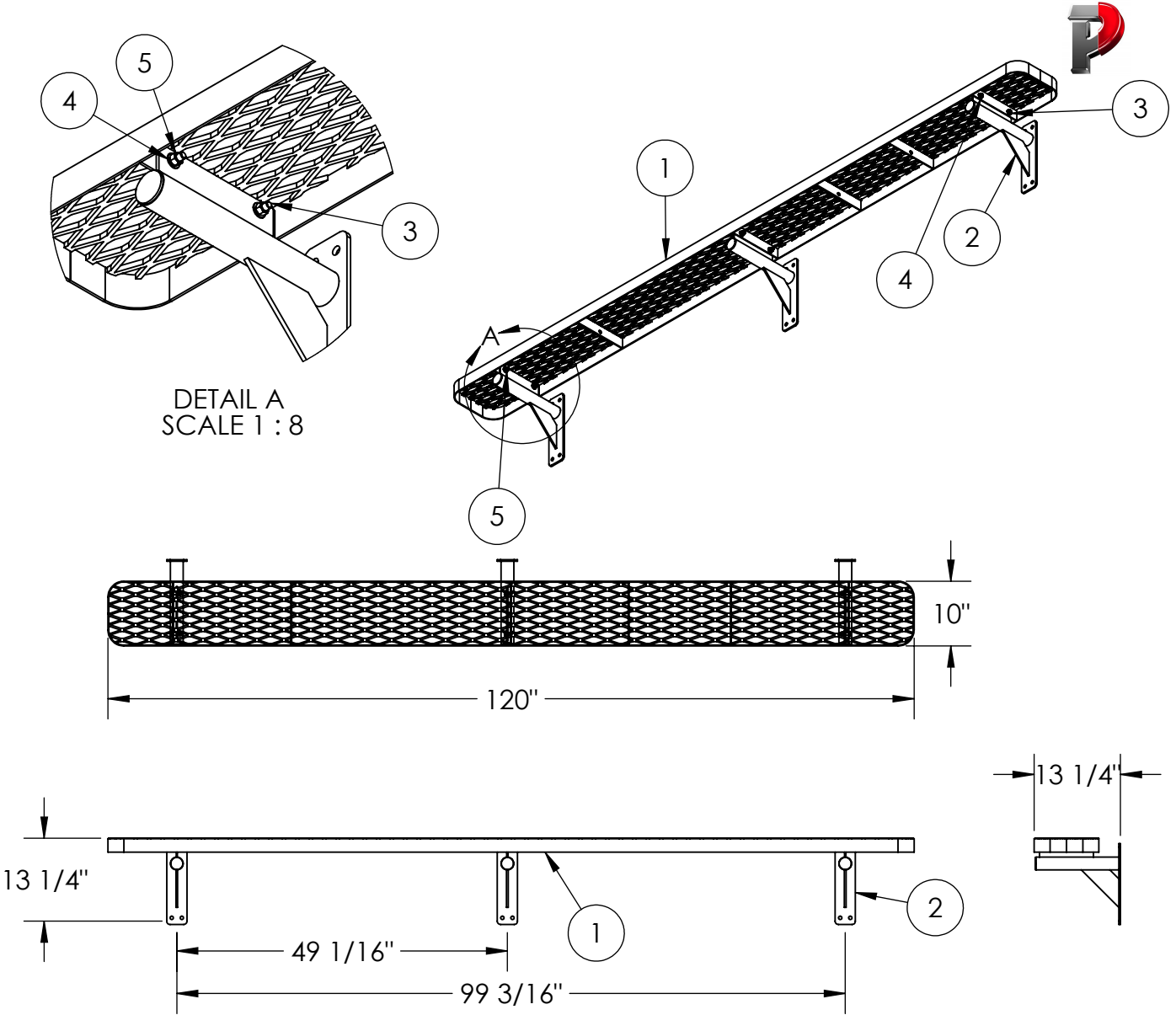
The Best Commercial Outdoor Furniture Available. Period.



SIZE
A

10' Champion Bench, Wall Mount

935-604



1. Drill plastic out of the mounting holes on the stands and seat using a 7/16" dia. drill bit.
2. Fasten the seat to the stands.
3. Anchor to the wall with the appropriate fasteners.

In Accordance to California law: WARNING This product contains a chemical know to the State of California to cause cancer and birth defects or other reproductive harm.

ITEM NO.	PART NUMBER	DESCRIPTION	QTY.
1	622-016	10' Champion Bench/Back	1
2	634-001	Wall Mount Bracket	3
3	516-058	3/8"x1-1/2" SS Hex Bolt	6
4	516-023	3/8" SS Flat Washer	12
5	516-028	3/8" SS Nylock Nut	6



PREMIER POLYSTEEL

The Best Commercial Outdoor Furniture Available. Period.

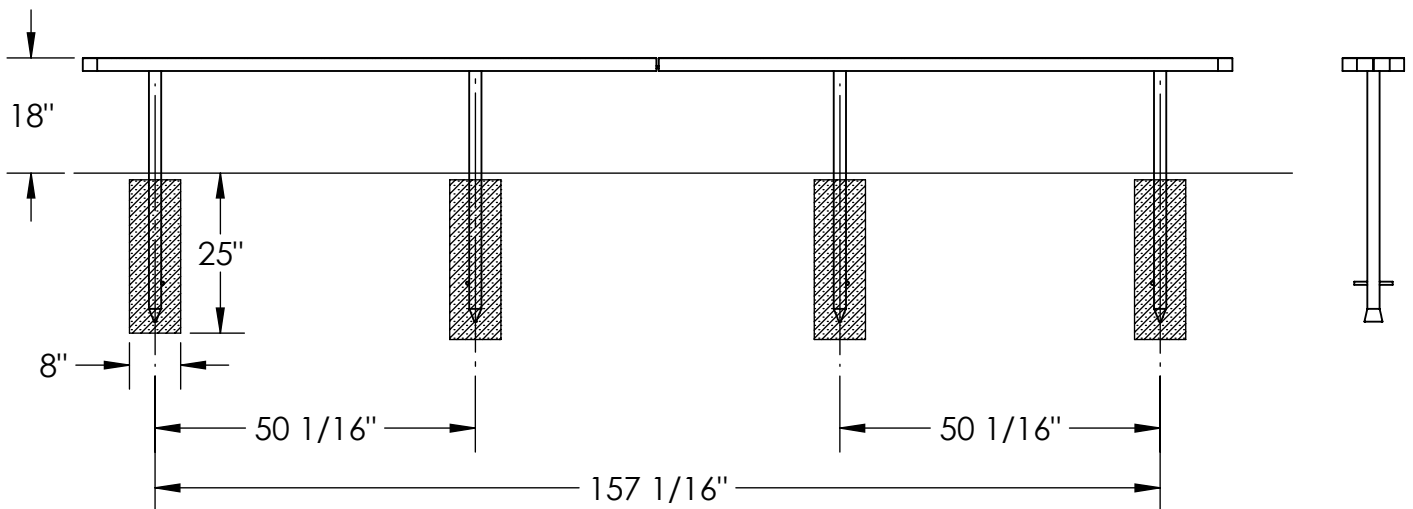
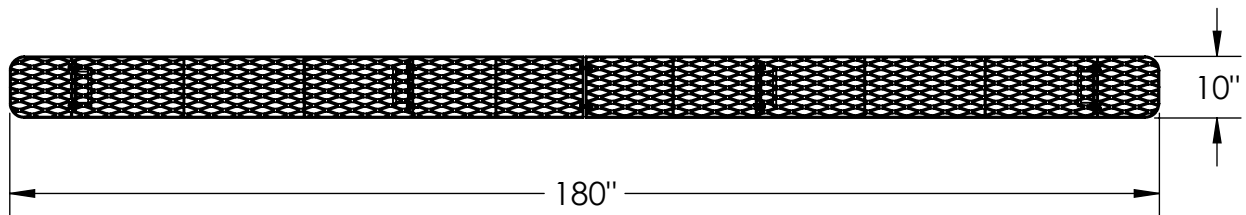


SIZE
A

REV. X.01 SHEET 1 OF 1

15' Champion Bench without back, Direct Bury

935-702



1. Drill plastic out of the mounting holes on the stands and the seats using a 7/16" dia. drill bit.
2. Attach seats together with 3/8" x 1-1/2" SS hex bolts, washers and nuts and then mount stands to the seats with 3/8" x 1-1/2" SS hex bolts, washers and nuts.
3. Drill 4 holes (8"-10" Dia.) into the ground matching the spacing of the legs on the bench.
4. Support the bench in the holes with wood stakes.
5. Check the level and straightness of the bench and then fill the holes with concrete to within 2" of ground surface.

In Accordance to California law: WARNING This product contains a chemical know to the State of California to cause cancer and birth defects or other reproductive harm.



PREMIER POLYSTEEL

The Best Commercial Outdoor Furniture Available. Period.

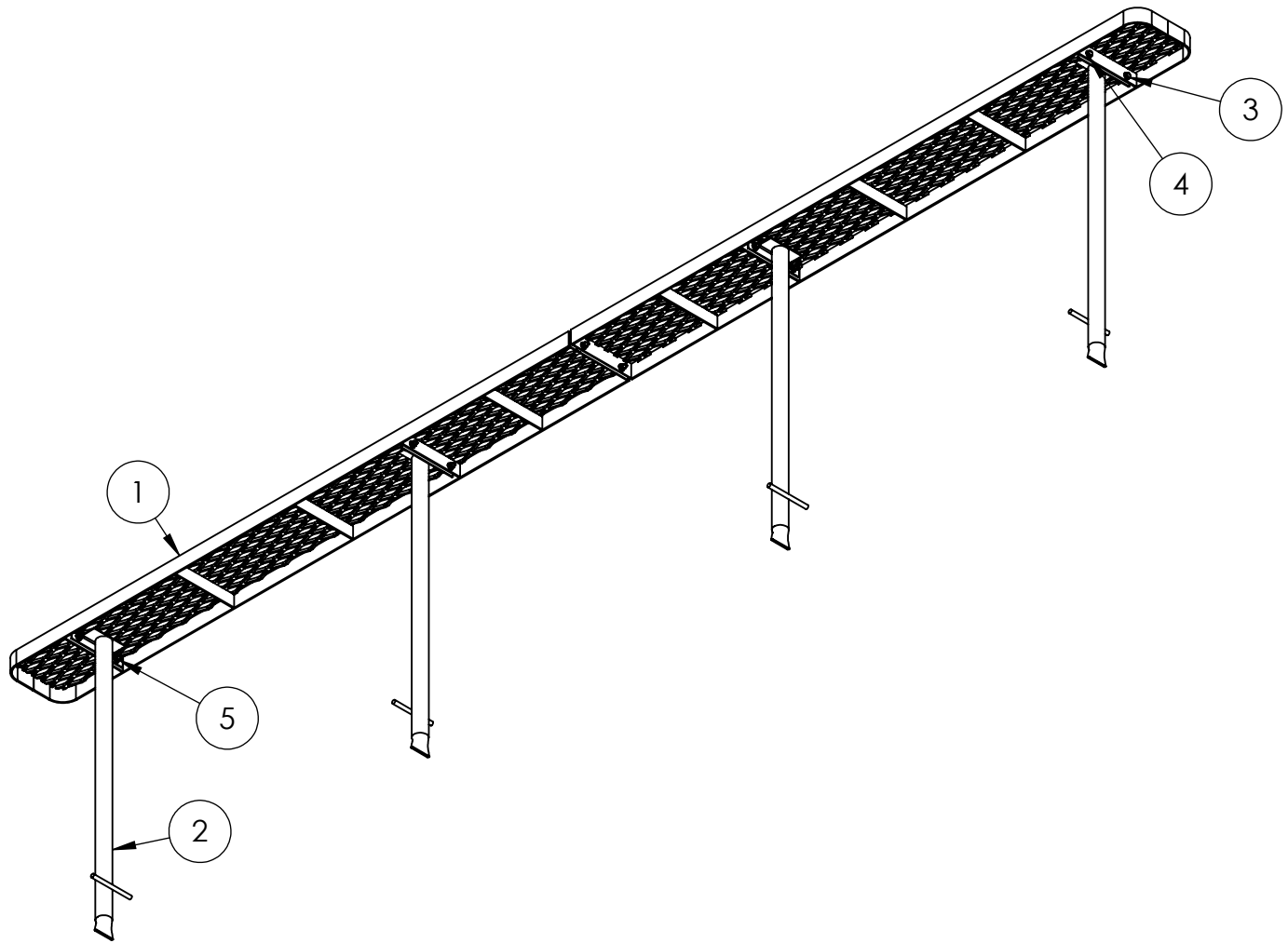


SIZE
A

REV. X.01 SHEET 1 OF 2

15' Champion Bench without back, Direct Bury

935-702



ITEM NO.	PART NUMBER	DESCRIPTION	QTY.
1	622-018	7.5' Champion Seat/Back	2
2	631-020	Bench without Back Stand, Direct Bury	4
3	516-058	3/8"x1-1/2" SS Hex Bolt	10
4	516-023	3/8" SS Flat Washer	20
5	516-028	3/8" SS Nylock Nut	10



PREMIER POLYSTEEL

The Best Commercial Outdoor Furniture Available. Period.

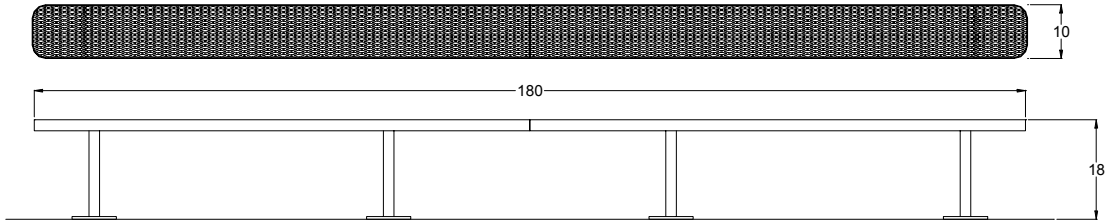


SIZE
A



935-707

935-707 15FT CHAMPION
SURFACE MOUNT
BENCH WITHOUT BACK



Part No.	Description	Qty.
622-018	7.5' Champion Seat/Back	2
633-011	Stand (Surface Mount)	4
516-058	3/8" x 1-1/2" SS Hex Bolt	10
516-028	3/8" SS Nylock Nut	10
516-023	3/8" SS Washer	20

- 1 Drill plastic out of the mounting holes on the stands and the seats using a 7/16" dia. drill bit.
- 2 Attach seats together with 3/8" x 1-1/2" SS hex bolts, washers and nuts and then mount stands to the seats with 3/8" x 1-1/2" SS hex bolts, washers and nuts.
- 3 Place bench in desired location and secure to floor with the appropriate fasteners.

In Accordance to California law: WARNING This product contains a chemical know to the State of California to cause cancer and birth defects or other reproductive harm.

Periodic check of bolt tightness recommended.



PREMIER POLYSTEEL

The Best Commercial Outdoor Furniture Available. Period.

