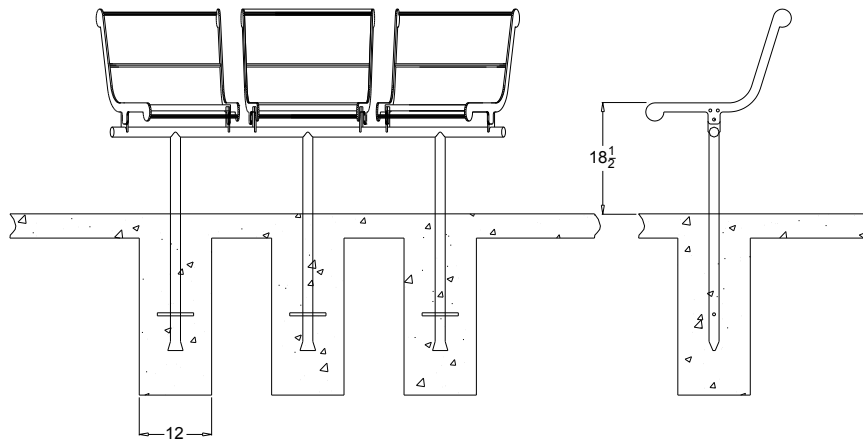
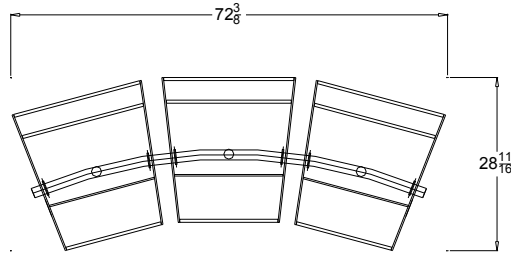




# 938-45D-2



Part No.	Description	Qty.
652-017	45deg Contour Seat	3
652-026	45 deg Arc Support Frame Direct Bury	1
516-058	3/8" X 1-1/2" SS Hex Bolt	18
516-028	3/8" SS Nylock Nut	18
516-023	3/8" SS Washer	36

- 1 Position the support frame in the desired location and mark ground where holes need to be drilled.
- 2 Drill plastic out of the mounting holes on the seats and stand using a 7/16" dia. drill bit.
- 3 Fasten the seats to the stand loosely.
- 4 Make sure that the three seats are level with each other and tighten all of the bolts.
- 5 Support the seats and frame at the desired height in the holes.
- 6 Fill holes with concrete and crown the top so that water will run off. Let stand for at least 24 hours before removing supports.

In Accordance to California law: WARNING This product contains a chemical know to the State of California to cause cancer and birth defects or other reproductive harm.

*Periodic check of bolt tightness recommended.*



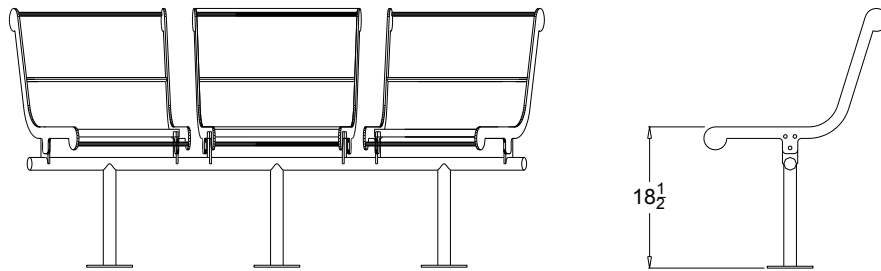
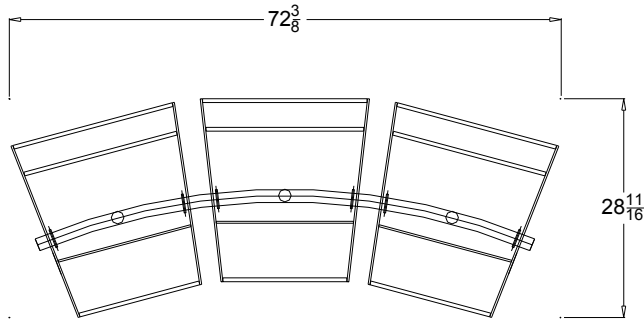
## PREMIER POLYSTEEL

The Best Commercial Outdoor Furniture Available. Period.





# 938-45D-7



Part No.	Description	Qty.
652-017	45deg Contour Seat	3
652-036	45 deg Arc Support Frame Surface Mount	1
516-031	3/8" X 1-3/4" SS Btn Skt Cap Screws	18
516-028	3/8" SS Nylock Nut	18
516-023	3/8" SS Washer	36

- 1 Position the support frame in the desired location and anchor it to the concrete.
- 2 Drill plastic out of the mounting holes on the seats and stand using a 7/16" dia. drill bit.
- 3 Fasten the seats to the stand loosely.
- 4 Make sure that the three seats are level with each other and tighten all of the bolts.

In Accordance to California law: WARNING This product contains a chemical know to the State of California to cause cancer and birth defects or other reproductive harm.

*Periodic check of bolt tightness recommended.*



## PREMIER POLYSTEEL

The Best Commercial Outdoor Furniture Available. Period.

