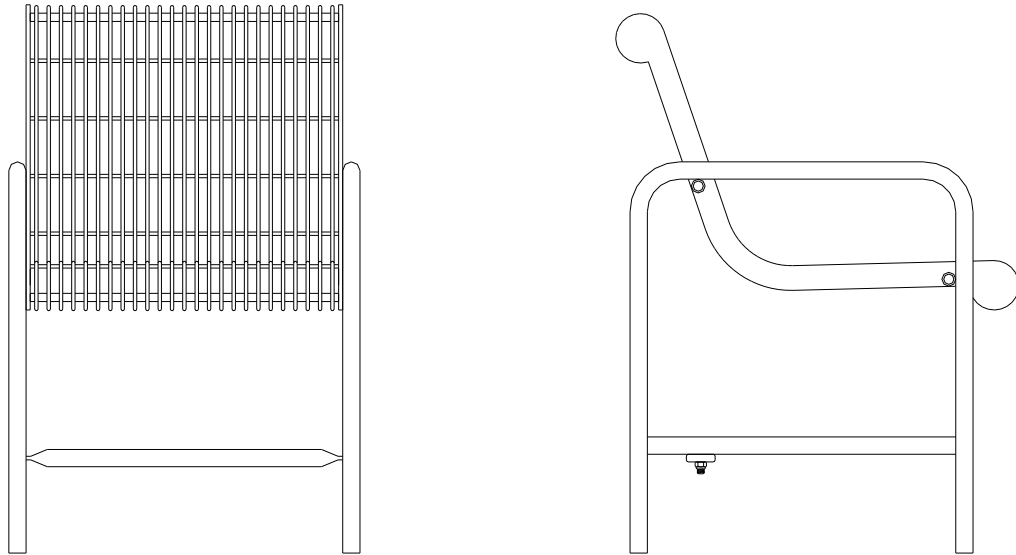




# 939-D11



Part No.	Description	Qty.
625-009	Deck Chair, Laser	1
639-001	Deck Chair Stand	2
639-002	Deck Chair Brace	1
516-049	3/8" X 2-1/2" SS Button Socket Cap	4
516-028	3/8" SS Nylock Nuts	6
516-023	3/8" SS Flat Washers	6

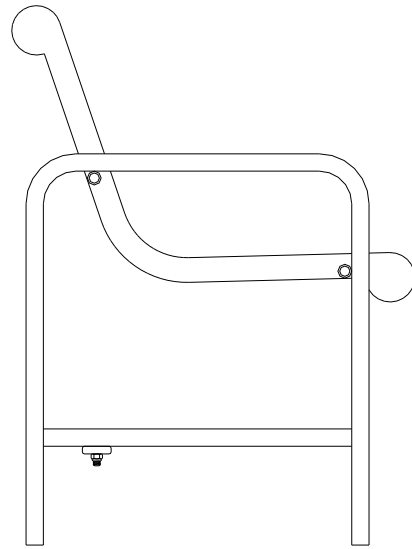
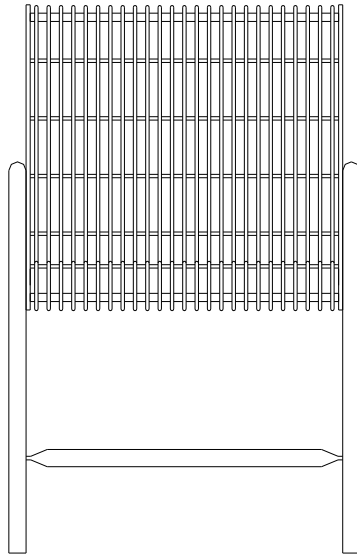
- 1 Drill plastic out of the mounting holes on the seat, stands and brace using a 7/16" dia. drill bit.
- 2 Fasten the seat to the stands and attach brace to the stands loosely.
- 3 Tighten bolts on brace.
- 4 Tip chair to upright position, tighten bolts evenly so chair does not lean to one side or the other.

In Accordance to California law: WARNING This product contains a chemical know to the State of California to cause cancer and birth defects or other reproductive harm.

*Periodic check of bolt tightness recommended.*



# 939-D21



Part No.	Description	Qty.
623-006	Patio Chair	1
639-001	Patio Chair Stand	2
639-002	Patio Chair Brace	1
516-032	3/8" X 3-1/2" SS Button Socket Cap	4
516-028	3/8" SS Nylock Nuts	6
516-023	3/8" SS Flat Washers	6

- 1 Drill plastic out of the mounting holes on the seat, stands and brace using a 7/16" dia. drill bit.
- 2 Fasten the seat to the stands and attach brace to the stands loosely.
- 3 Tighten bolts on brace.
- 4 Tip chair to upright position, tighten bolts evenly so chair does not lean to one side or the other.

In Accordance to California law: WARNING This product contains a chemical know to the State of California to cause cancer and birth defects or other reproductive harm.

*Periodic check of bolt tightness recommended.*



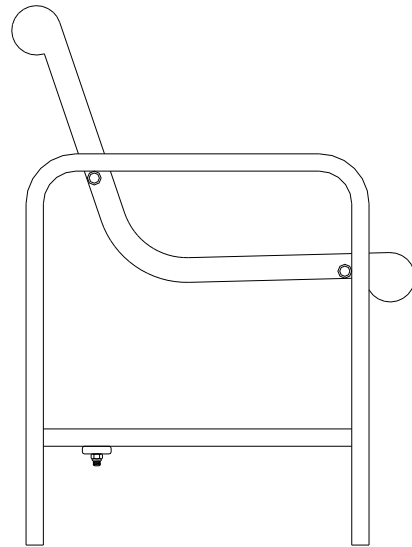
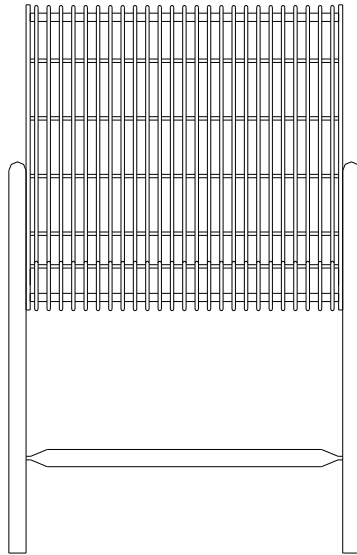
## PREMIER POLYSTEEL

The Best Commercial Outdoor Furniture Available. Period.





# 939-D31



Part No.	Description	Qty.
623-007	Patio Chair	1
639-001	Patio Chair Stand	2
639-002	Patio Chair Brace	1
516-032	3/8" X 3-1/2" SS Button Socket Cap	4
516-028	3/8" SS Nylock Nuts	6
516-023	3/8" SS Flat Washers	6

- 1 Drill plastic out of the mounting holes on the seat, stands and brace using a 7/16" dia. drill bit.
- 2 Fasten the seat to the stands and attach brace to the stands loosely.
- 3 Tighten bolts on brace.
- 4 Tip chair to upright position, tighten bolts evenly so chair does not lean to one side or the other.

In Accordance to California law: WARNING This product contains a chemical know to the State of California to cause cancer and birth defects or other reproductive harm.

*Periodic check of bolt tightness recommended.*



## PREMIER POLYSTEEL

The Best Commercial Outdoor Furniture Available. Period.

