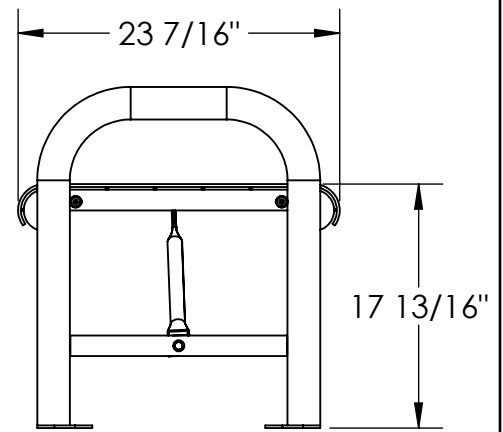
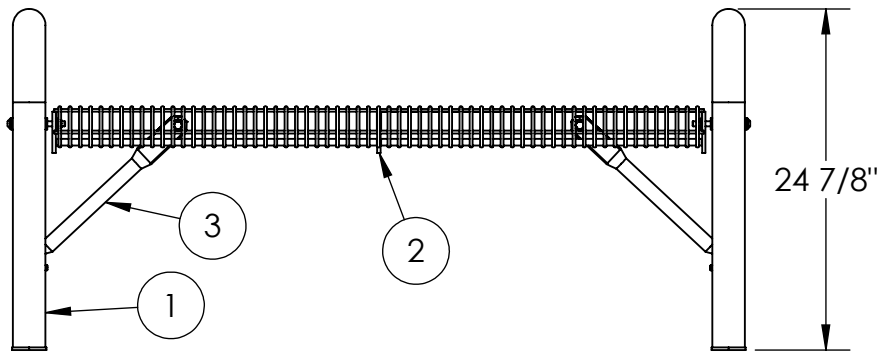
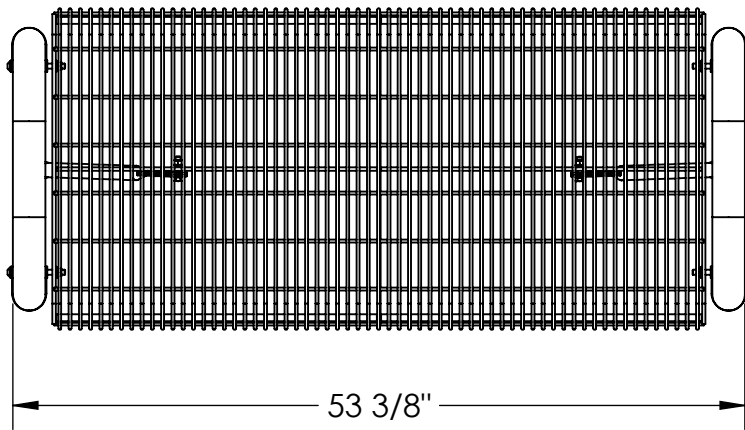


# Premier 4' Welded Rod Flat Contour Free Standing/Surface Mount Bench

976-103



1. Drill plastic out of the mounting holes on the stands, seat and braces using a 7/16" dia. drill bit.
2. Fasten the seat to the stands loosely and then fasten the braces to the stands and seat.
3. Set on a level surface and tighten all of the bolts.

In Accordance to California law: **WARNING** This product contains a chemical know to the State of California to cause cancer and birth defects or other reproductive harm.

ITEM NO.	PART NUMBER	DESCRIPTION	QTY.
1	733-113	Contour Flat Bench Stand	2
2	652-221	4' Welded Rod Contour Flat Seat	1
3	630-213	Brace for the Contour Flat Bench	2
4	516-058	3/8"x1-1/2" SS Hex Bolt	4
5	516-023	3/8" SS Flat Washer	16
6	516-033	3/8"x4" SS Button Head Cap Screw	4
7	516-028	3/8" SS Nylock Nut	8



## PREMIER POLYSTEEL

The Best Commercial Outdoor Furniture Available. Period.

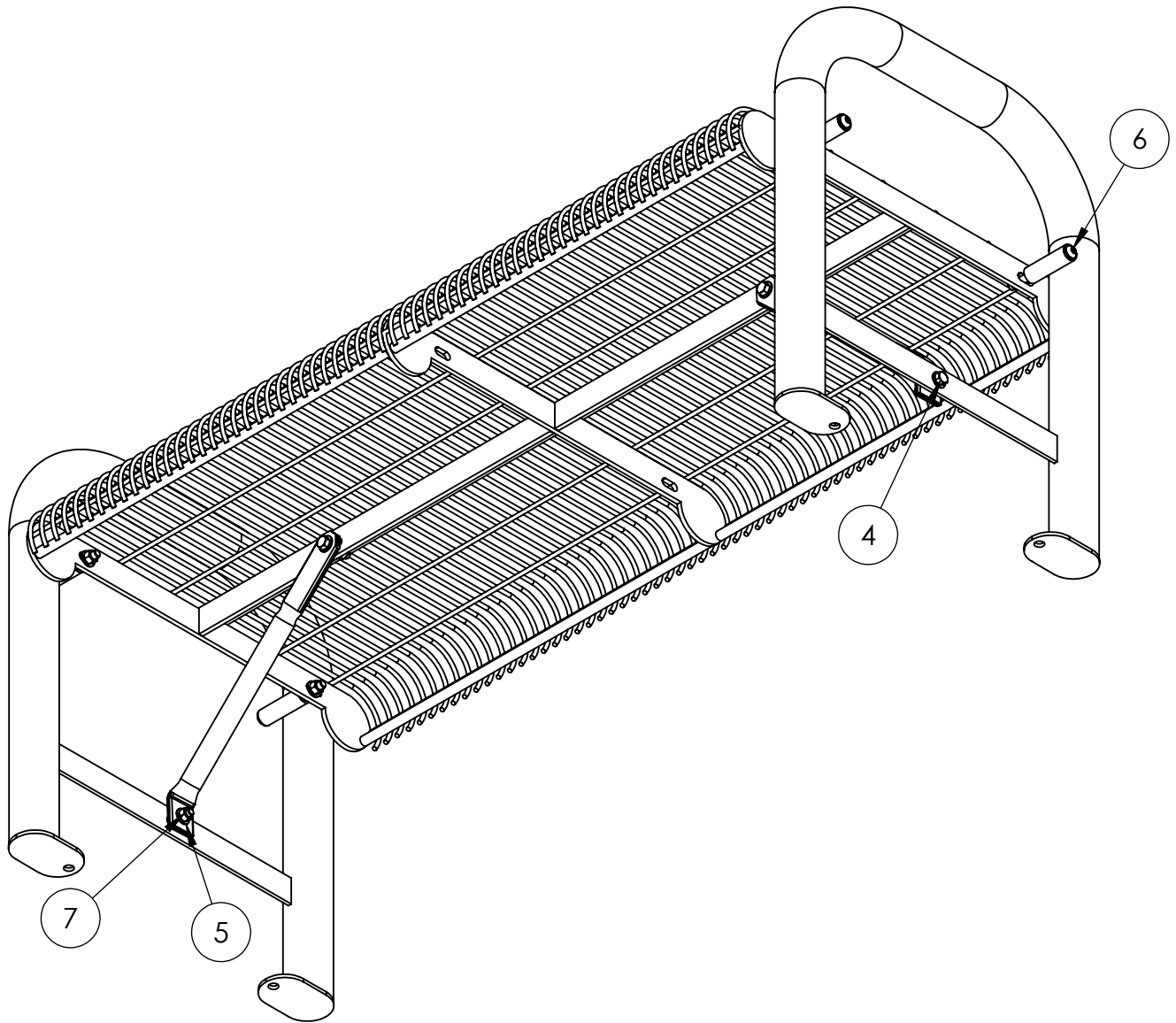


SIZE  
**A**

REV. X.01 SHEET 1 OF 2

Premier 4' Welded Rod Flat Contour Free Standing/Surface Mount  
Bench

976-103



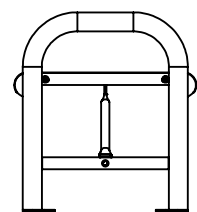
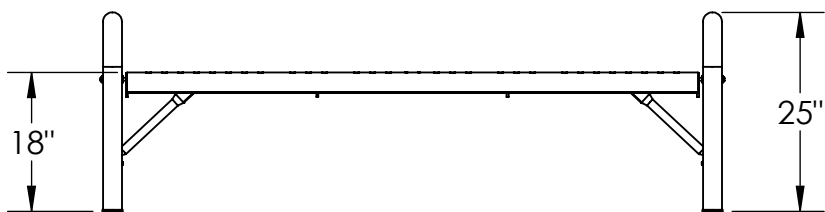
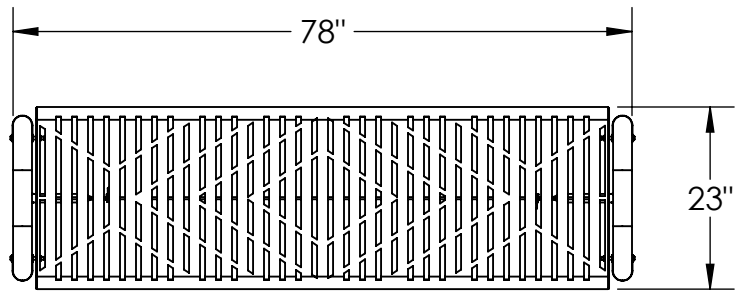
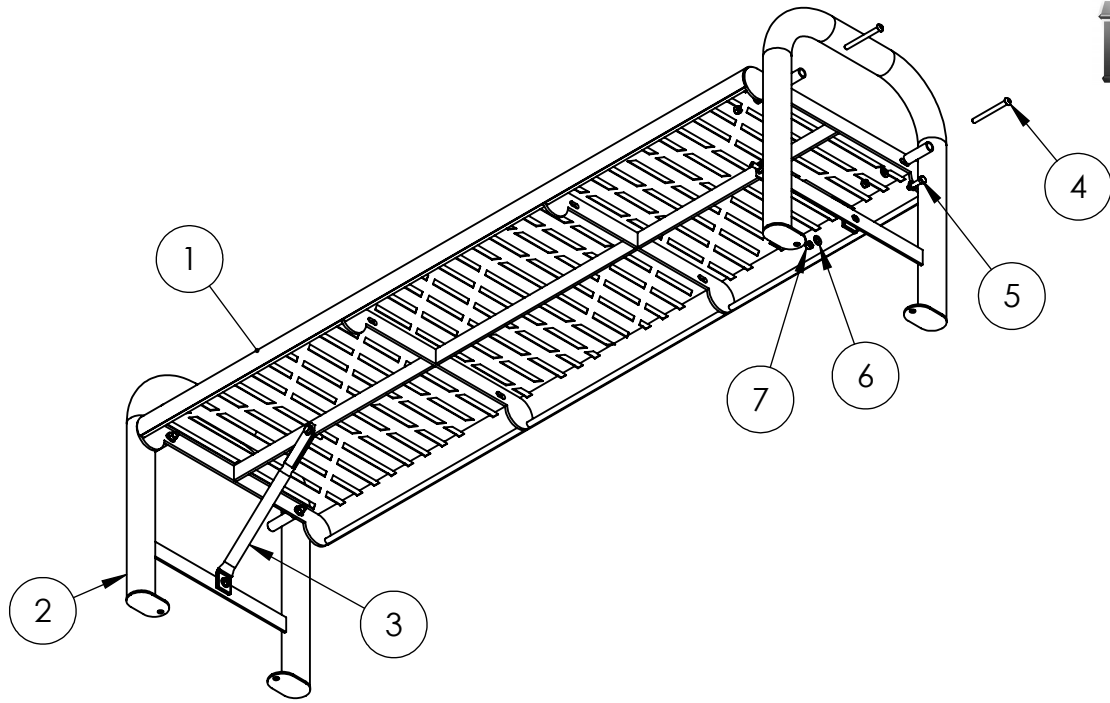
**PREMIER POLYSTEEL**

The Best Commercial Outdoor Furniture Available. Period.



SIZE  
**A**

REV. X.01 SHEET 2 OF 2



- 1 Drill plastic out of the mounting holes on the stands, seat and braces using a 7/16" dia. drill bit.
- 2 Fasten the seat to the stands loosely and then fasten the braces to the stands and seat.
- 3 Set on a level surface and tighten all of the bolts.

In Accordance to California law: **WARNING** This product contains a chemical known to the State of California to cause cancer and birth defects or other reproductive harm.

ITEM NO.	PART NUMBER	DESCRIPTION	QTY.
1	652-233	6' Diamond Pattern Contour Flat Seat	1
2	733-113	Contour Flat Bench Stand	2
3	630-213	Brace for the Contour Flat Bench	2
4	516-033	3/8"x4" SS Button Head Cap Screw	4
5	516-058	3/8"x1-1/2" SS Hex Bolt	4
6	516-023	3/8" SS Flat Washer	12
7	516-028	3/8" SS Nylock Nut	8



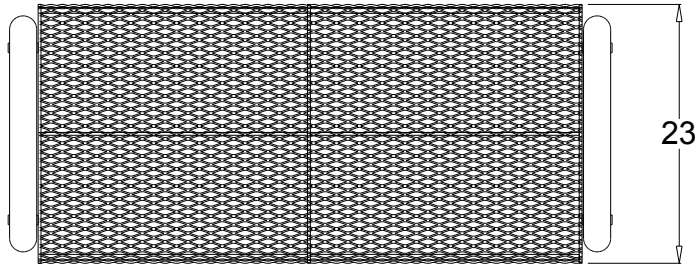
**PREMIER POLYSTEEL**

The Best Commercial Outdoor Furniture Available. Period.

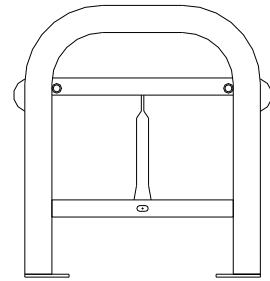
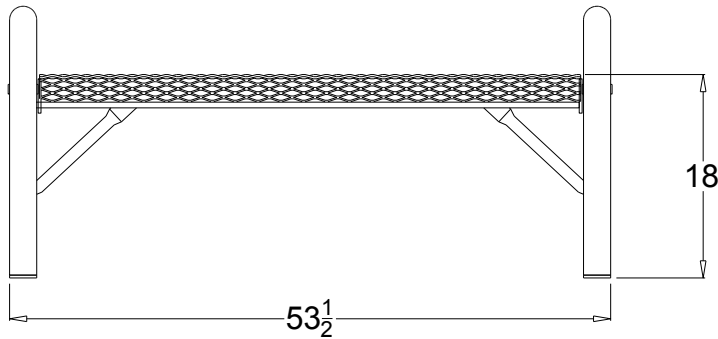




# 973-103



**973-103 4' FLAT CONTOUR BENCH FSSM**



Part No.	Description	Qty.
652-211	4' Contour Flat Seat Expanded Metal	1
733-113	Contour Flat Bench Stand	2
630-213	Brace	2
516-033	3/8" x 4" SS Button Socket Cap	4
516-058	3/8" x 1-1/2" SS Hex Bolt	4
516-028	3/8" SS Nylock Nut	8
516-023	3/8" SS Washer	12

- 1 Drill plastic out of the mounting holes on the stands, seat and braces using a 7/16" dia. drill bit.
- 2 Fasten the seat to the stands loosely and then fasten the braces to the stands and seat.
- 3 Set on a level surface and tighten all of the bolts.

In Accordance to California law: **WARNING** This product contains a chemical know to the State of California to cause cancer and birth defects or other reproductive harm.

*Periodic check of bolt tightness recommended.*



**PREMIER POLYSTEEL**

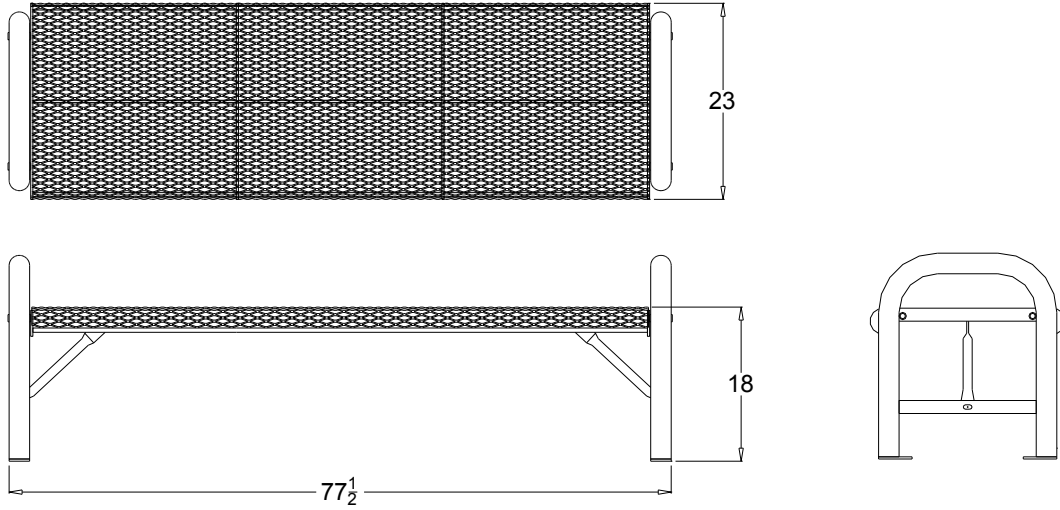
The Best Commercial Outdoor Furniture Available. Period.





# 973-303

## 973-303 6' FLAT CONTOUR BENCH FSSM



Part No.	Description	Qty.
652-213	6' Contour Flat Seat Expanded Metal	1
733-113	Contour Flat Bench Stand	2
630-213	Brace	2
516-033	3/8" x 4" SS Button Socket Cap	4
516-058	3/8" x 1-1/2" SS Hex Bolt	4
516-028	3/8" SS Nylock Nut	8
516-023	3/8" SS Washer	12

- 1 Drill plastic out of the mounting holes on the stands, seat and braces using a 7/16" dia. drill bit.
- 2 Fasten the seat to the stands loosely and then fasten the braces to the stands and seat.
- 3 Set on a level surface and tighten all of the bolts.

In Accordance to California law: WARNING This product contains a chemical know to the State of California to cause cancer and birth defects or other reproductive harm.

*Periodic check of bolt tightness recommended.*



# PREMIER POLYSTEEL

The Best Commercial Outdoor Furniture Available. Period.

