

- Attach both legs to the inside of table support bar
- Attach the straight end of each brace to the table.
- Attach bent end of both braces to the cross bar of each leg.

Part No.	Description	Qty.
642-E13	Champion Oval Table Top 6'	1
622-E13	Champion Oval Seat/Back 6'	2
634-010	Stands (free standing)	2
634-013A	Brace (6' free standing w/umbrella)	2
516-058	3/8" x 1-1/2" SS Hex Bolt	16
516-028	3/8" SS Nylock Nut	16
516-023	3/8" SS Washer	32

In Accordance to California law: WARNING This product contains a chemical know to the State of California to cause cancer and birth defects or other reproductive harm.

Assembly Instructions

1. Drill out holes.
2. Attach both legs to the inside of table support bar. (See photo above right)
3. Attach the seats to the legs.
4. Attach the straight end of each brace to the table. (See photo above right)
5. Attach bent end of both braces to the cross bar of each leg. (See photo above right)

Periodic check of bolt tightness recommended.



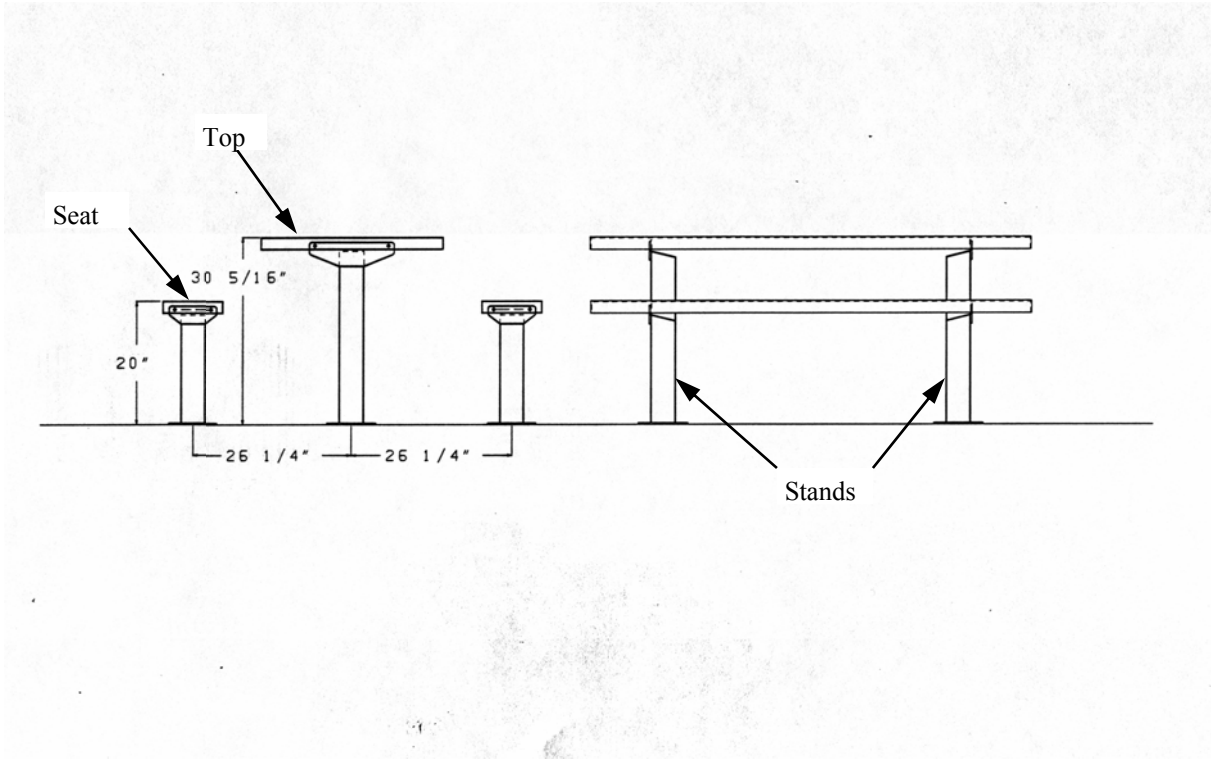
PREMIER POLYSTEEL

The Best Commercial Outdoor Furniture Available. Period.





956-305



Part No.	Description	Qty.
642-E13	Champion Oval Table Top 6'	1
622-E13	Champion Oval Table Seat 6'	2
633-130	Pedestal Stands (Table) (Surface Mount)	2
633-140	Pedestal Stands (Seat) (Surface Mount)	4
516-028	3/8" SS Nylock Nut	12
516-058	3/8" x 1-1/2" SS Hex Bolt	12
516-023	3/8" SS Washer	24

- 1 Drill plastic out of the mounting holes on the pedestals, top and seats using a 7/16" dia. drill bit.
- 2 Fasten the table top and seats to the pedestals.
- 3 Position the table and seats and anchor them to the floor.

In Accordance to California law: WARNING This product contains a chemical know to the State of California to cause cancer and birth defects or other reproductive harm.

Periodic check of bolt tightness recommended.



PREMIER POLYSTEEL

The Best Commercial Outdoor Furniture Available. Period.

