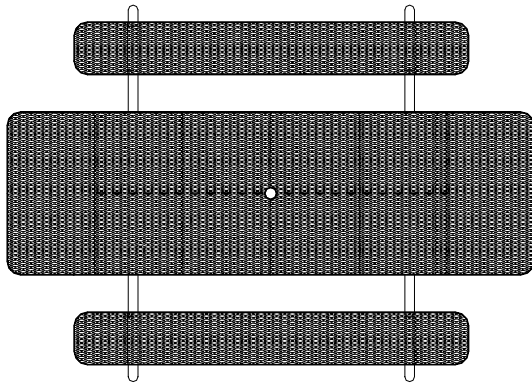
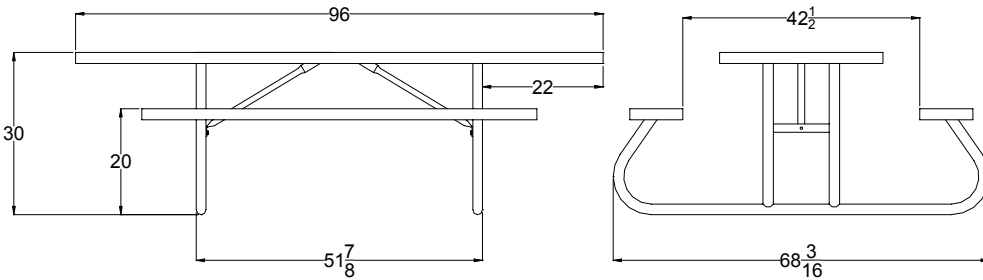




# 950-501



950-501 8FT CHAMPION  
FREESTANDING TABLE  
ACCESSIBLE



- Attach both legs to the inside of table support bar
- Attach the straight end of each brace to the table.
- Attach bent end of both braces to the cross bar of each leg.

Part No.	Description	Qty.
642-A15	8' Champion Accessible Top	1
622-013	6' Champion Seat/Back	2
634-010	Free Standing Table Stand	2
634-013A	Table Brace w/Umbrella Hole	2
516-058	3/8" X 1-1/2" SS Hex Bolt	16
516-028	3/8" SS Nylock Nut	16
516-023	3/8" SS Flat Washer	32

## Assembly Instructions

- 1 Drill out holes on the Table Top, Seats, Stands and Braces with a 7/16" dia. drill.
- 2 Attach the Stands to the Table Top loosely using the 3/8" x 1-1/2" SS Bolts. (See photo above right)
- 3 Attach the Seats to the Stands loosely using the 3/8" x 1-1/2" SS Bolts.
- 4 Attach Braces to the Stands and Table Top loosely using the 3/8" x 1-1/2" SS Bolts. (See photo above right)
- 5 Tighten all bolts.

In Accordance to California law: WARNING This product contains a chemical know to the State of California to cause cancer and birth defects or other reproductive harm.

*Periodic check of bolt tightness recommended.*



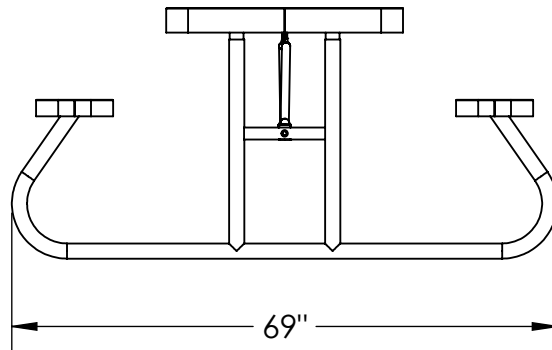
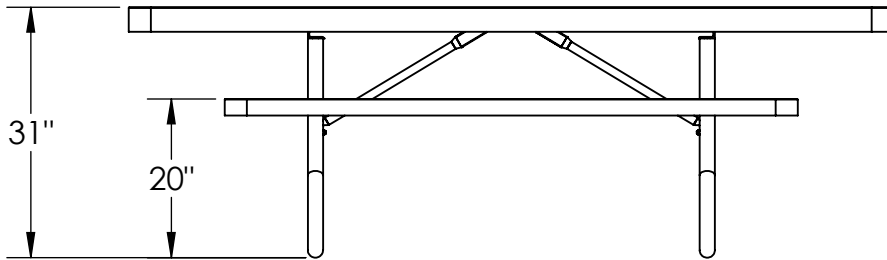
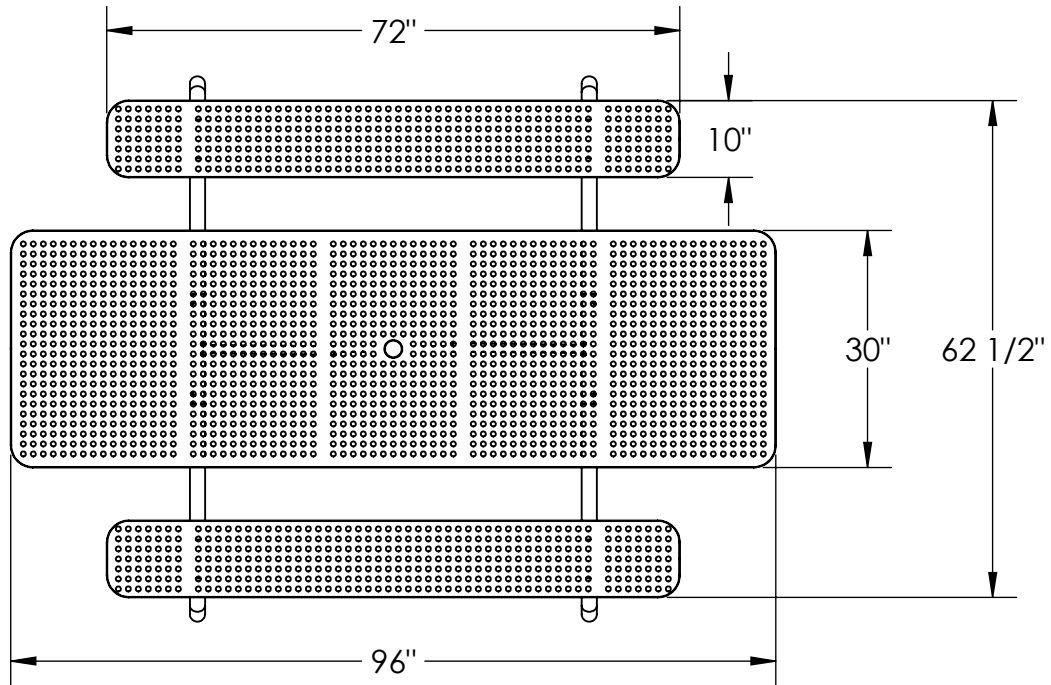
**PREMIER POLYSTEEL**

The Best Commercial Outdoor Furniture Available. Period.



# 8' Champion Accessible Perforated Metal Table, Free Standing

950-5P1

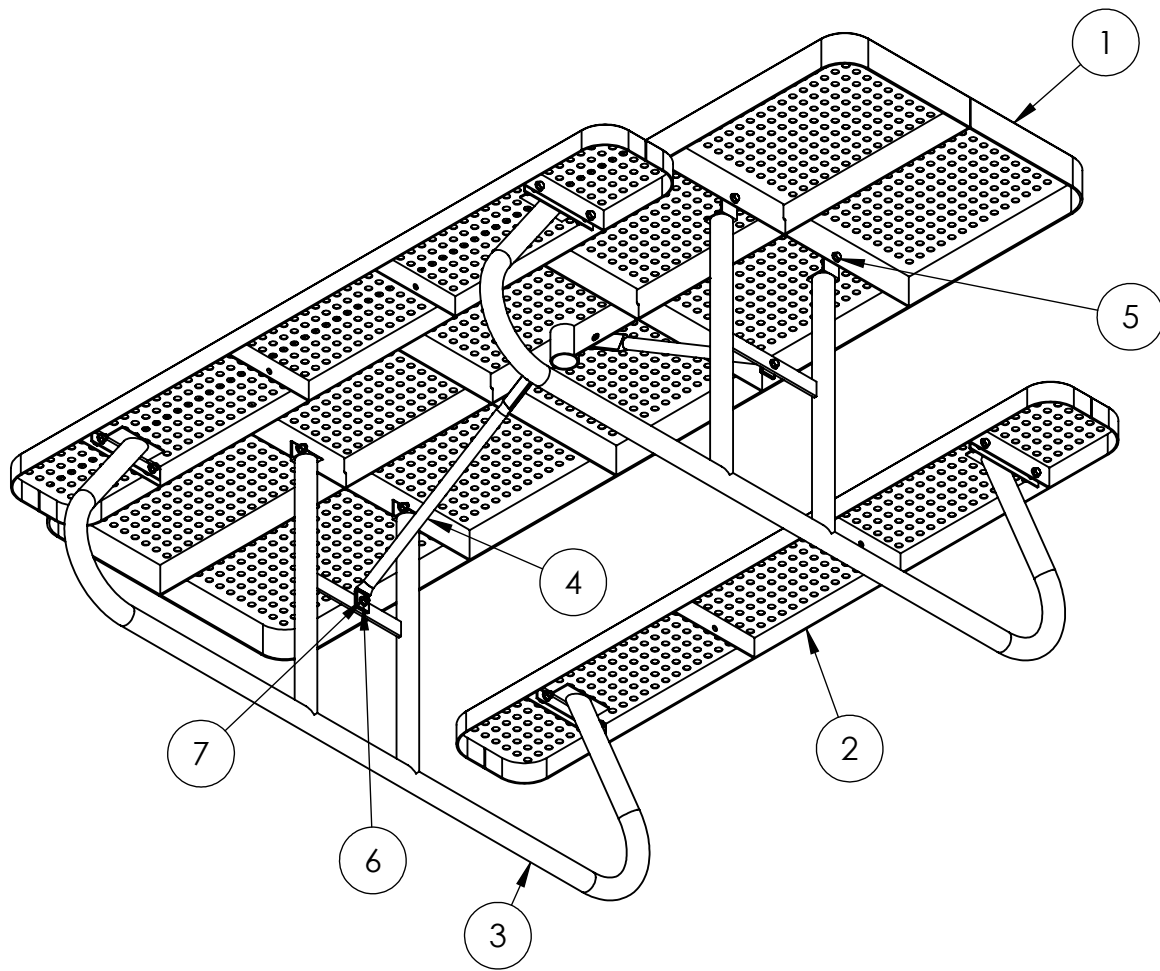


## PREMIER POLYSTEEL

The Best Commercial Outdoor Furniture Available. Period.



SIZE  
**A**



**Assembly Instructions**

1. Drill out holes.
2. Attach both legs to the inside of table support bar. (See view above)
3. Attach the seats to the legs.
4. Attach the straight end of each brace to the table. (See view above)
5. Attach bent end of both braces to the cross bar of each leg. (See view above)

In Accordance to California law: WARNING This product contains a chemical know to the State of California to cause cancer and birth defects or other reproductive harm.

ITEM NO.	PART NUMBER	DESCRIPTION	QTY.
1	642-AP5	8' Champion Accessible Table Top	1
2	622-P13	6' Champion Perf Seat/Back	2
3	634-010	FS Table Stand (10" Seats)	2
4	634-013A	Table Brace W/Umbrella	2
5	516-058	3/8"x1-1/2" SS Hex Bolt	14
6	516-023	3/8" SS Flat Washer	28
7	516-028	3/8" SS Nylock Nut	14



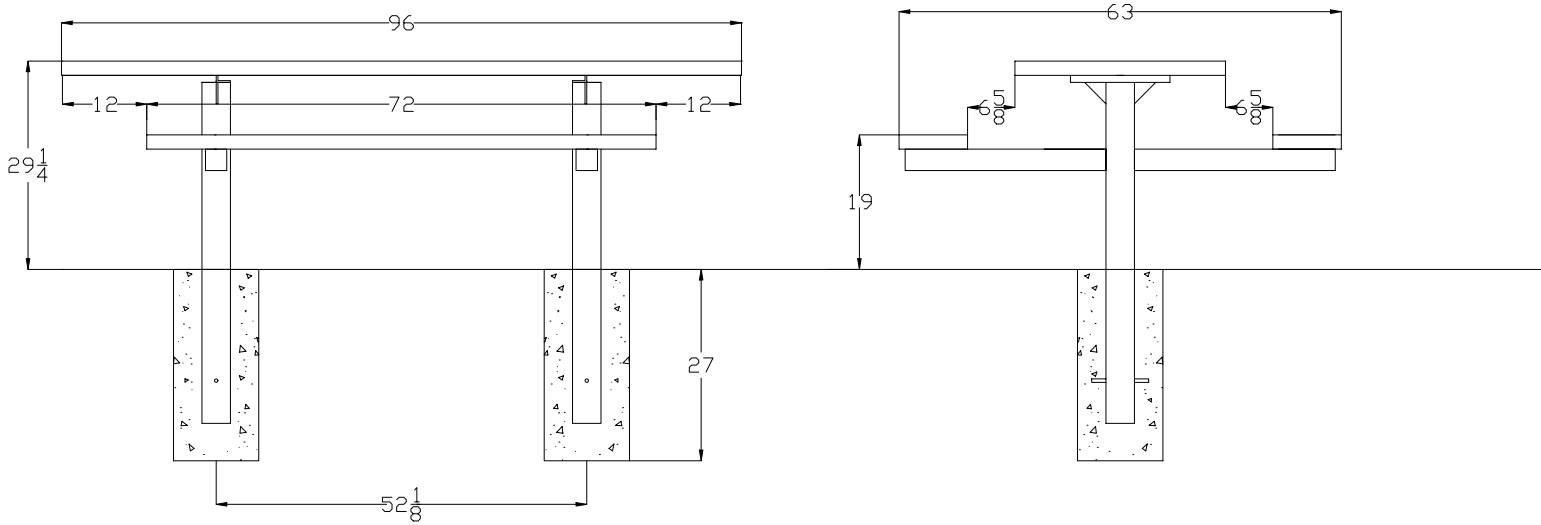
**PREMIER POLYSTEEL**

The Best Commercial Outdoor Furniture Available. Period.





# 950-502



Part No.	Description	Qty.
642-A15	Champion Accessible Table Top 8'	1
622-013	Champion Seat/Back 6'	2
632-200	Table Pedestal Direct Bury	2
516-058	3/8" X 1-1/2" SS Hex Bolt	12
516-028	3/8" SS Nylock Nut	12
516-023	3/8" SS Flat Washer	24

- 1 Drill 2 holes in ground per the above drawing.
- 2 Place the pedestals in the holes.
- 3 Drill plastic out of the mounting holes on the pedestals, top and seats using a 7/16" dia. drill bit.
- 4 Fasten the table top to the pedestals, support and level table top. Check height.
- 5 Fasten the seats to the pedestals, support and level seats. Check height.
- 6 When the seats and top are level and secured fill the holes with concrete to about 2" below ground level.

In Accordance to California law: WARNING This product contains a chemical know to the State of California to cause cancer and birth defects or other reproductive harm.

*Periodic check of bolt tightness recommended.*



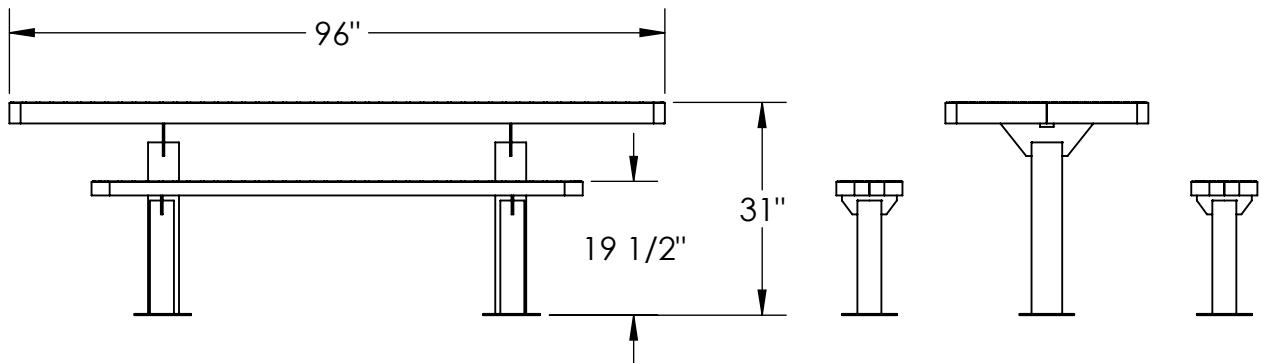
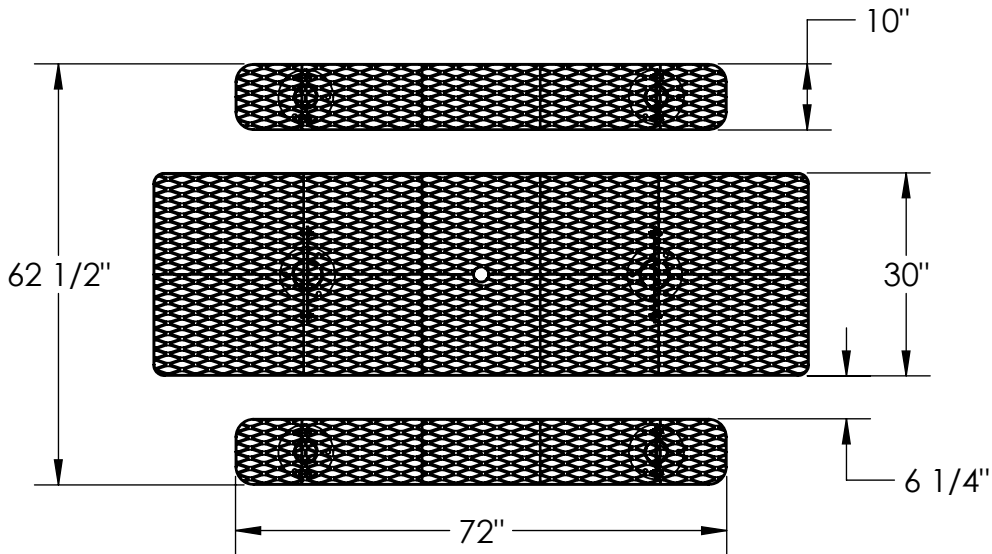
## PREMIER POLYSTEEL

The Best Commercial Outdoor Furniture Available. Period.



# 8' Accessible Multi-Pedestal Surface Mount

950-505



1. Drill plastic out of the mounting holes on the pedestals, top and seats using a 7/16" dia. drill bit.
2. Fasten the table top and seats to the pedestals, installing the pedestal on the inside of the table and seat mounting bar.
3. Position the table and seats and anchor them to the floor.

In Accordance to California law: WARNING This product contains a chemical know to the State of California to cause cancer and birth defects or other reproductive harm.



## PREMIER POLYSTEEL

The Best Commercial Outdoor Furniture Available. Period.

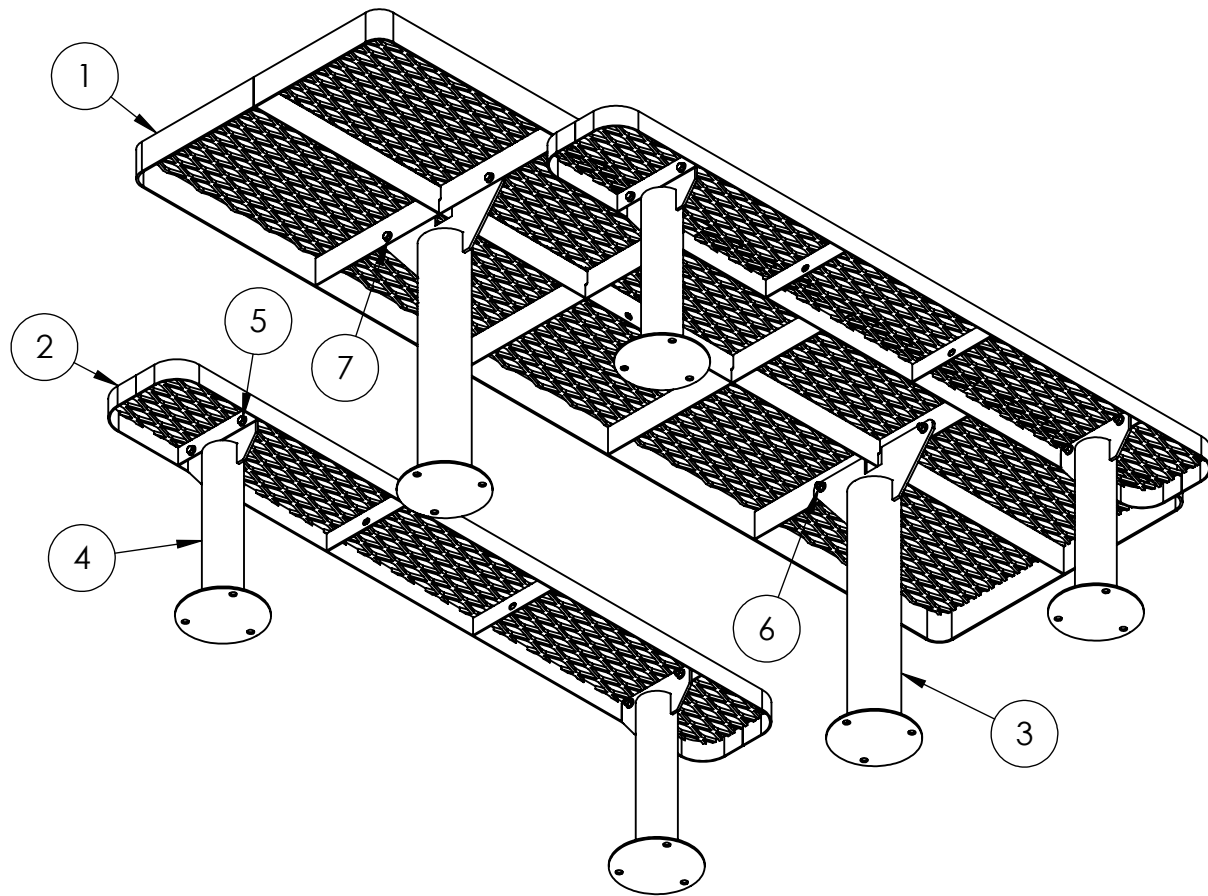


SIZE  
A

REV. X.01 SHEET 1 OF 2

# 8' Accessible Multi-Pedestal Surface Mount

950-505



ITEM NO.	PART NUMBER	DESCRIPTION	QTY.
1	642-A15	8' Accessible Table Top Expanded	1
2	622-013	Champion Seat/Back 6'	2
3	633-131	Table Pedestal Stand (Surface Mount)	2
4	633-141	Seat Pedestal Stand (Surface Mount)	4
5	516-058	3/8"x1-1/2" SS Hex Bolt	12
6	516-028	3/8" SS Nylock Nut	12
7	516-023	3/8" SS Flat Washer	24

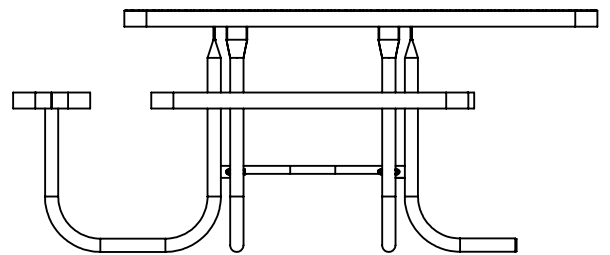
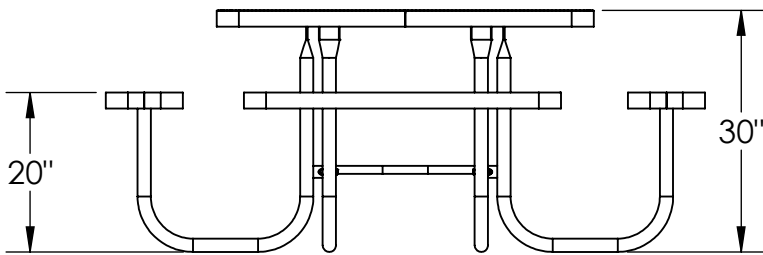
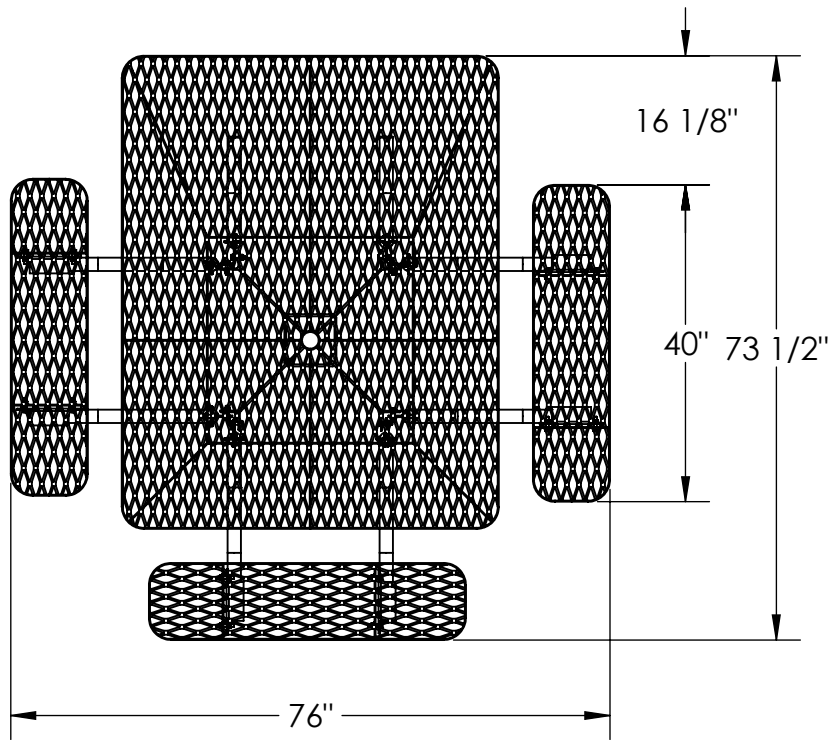


## PREMIER POLYSTEEL

The Best Commercial Outdoor Furniture Available. Period.



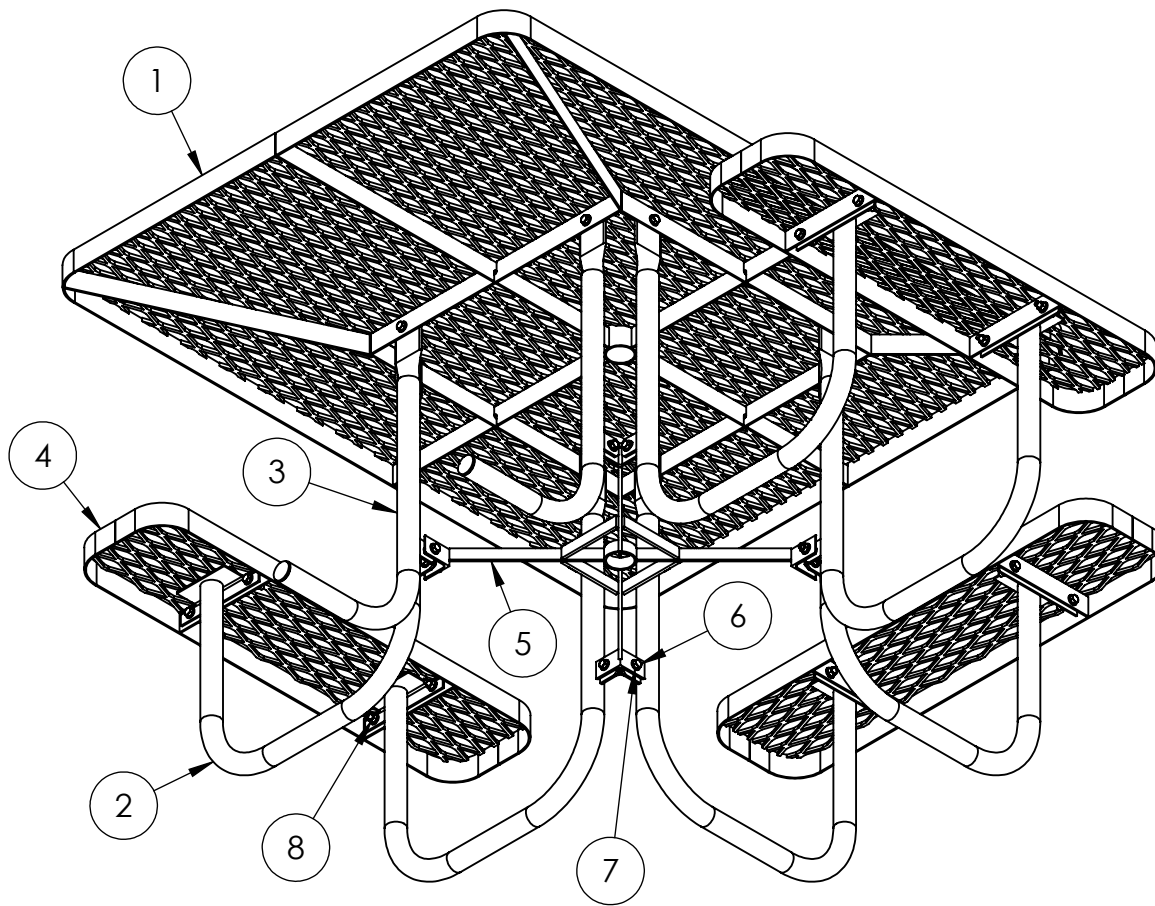
SIZE  
**A**



**PREMIER POLYSTEEL**

The Best Commercial Outdoor Furniture Available. Period.





In Accordance to California law: WARNING This product contains a chemical know to the State of California to cause cancer and birth defects or other reproductive harm.

1. With table top upside down bolt 2 opposing legs on to top. Do not tighten the bolts now.
2. Attach "x" shaped leg brace to the 2 legs.
3. Attach the other 6 legs fastening to the "x" shaped leg brace as you go.
4. Attach seats to other end of leg. The vertical portion of the angle iron leg top bolts flush with the seat support bar.
5. Flip the table right side up, level the top and seats, and tighten all of the bolts.

ITEM NO.	PART NUMBER	DESCRIPTION	QTY.
1	642-115	4x5 Accessible table Top	1
2	634-111	Sq./Rnd Table Free Standing Leg	6
3	634-112	3 Seat Leg for Sq/Round Table	2
4	622-019	40" Champion Seat	3
5	634-119	Sq./Rnd Table Leg Support Bracket	1
6	516-058	3/8"x1-1/2" SS Hex Bolt	28
7	516-023	3/8" SS Flat Washer	56
8	516-028	3/8" SS Nylock Nut	28



**PREMIER POLYSTEEL**

The Best Commercial Outdoor Furniture Available. Period.

