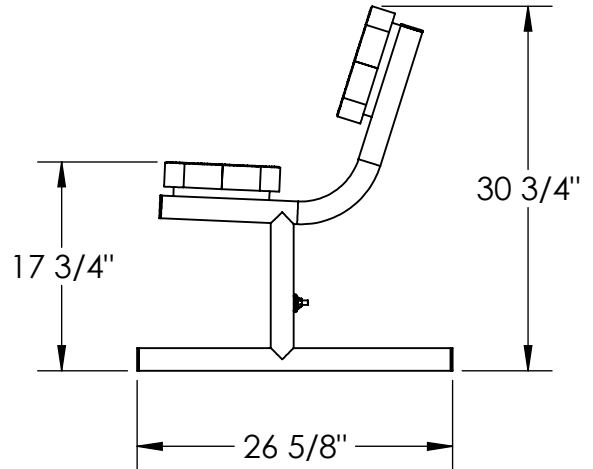
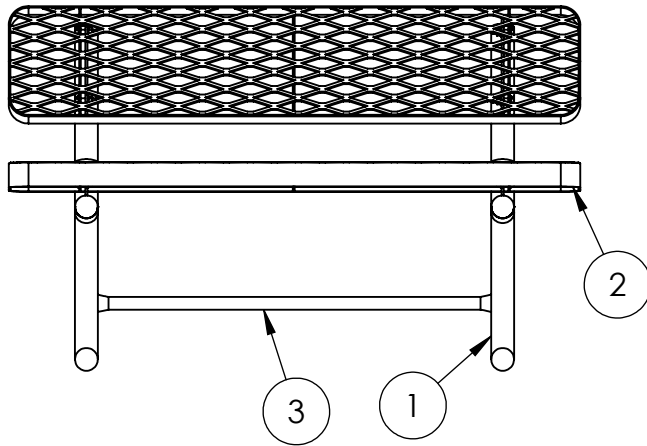
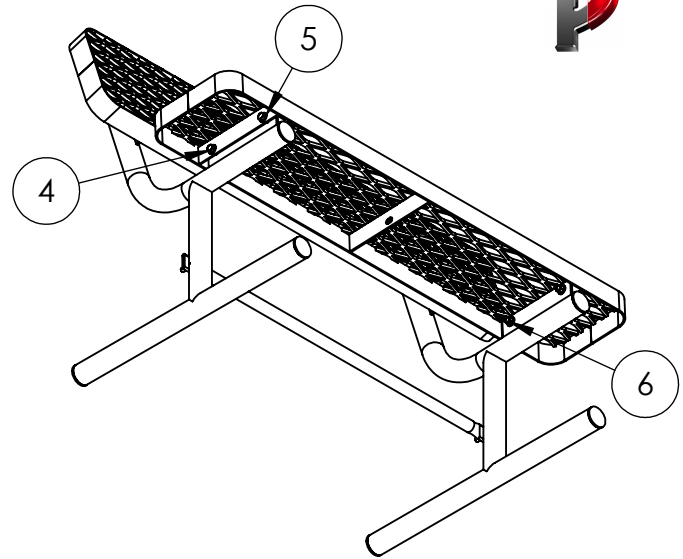
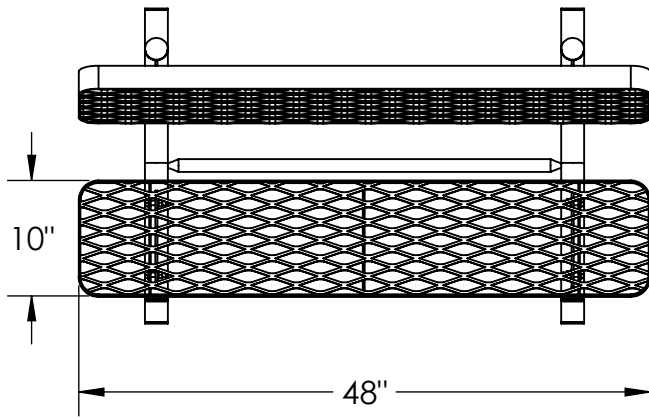


# 4' Champion Bench with Back, Free Standing

934-101



In Accordance to California law: WARNING This product contains a chemical know to the State of California to cause cancer and birth defects or other reproductive harm.

1. Drill plastic out of the mounting holes on the stands and the seat using a 7/16" diameter drill bit.
2. Attach seat and back loosely to stands with 3/8" x 1-1/2" SS hex bolts, washers and nuts.
3. Attach brace loosely to stands with 3/8" Nylock nut and washer.
4. Set on level surface and tighten all fasteners. Tighten the brace nuts last.

ITEM NO.	PART NUMBER	DESCRIPTION	QTY.
1	630-010	Bench with back stand FS	2
2	622-011	Champion Seat/Back 4'	2
3	630-011	4' Bench with Back Brace	1
4	516-058	3/8"x1-1/2" SS Hex Bolt	8
5	516-023	3/8" SS Flat Washer	18
6	516-028	3/8" SS Nylock Nut	10



## PREMIER POLYSTEEL

The Best Commercial Outdoor Furniture Available. Period.

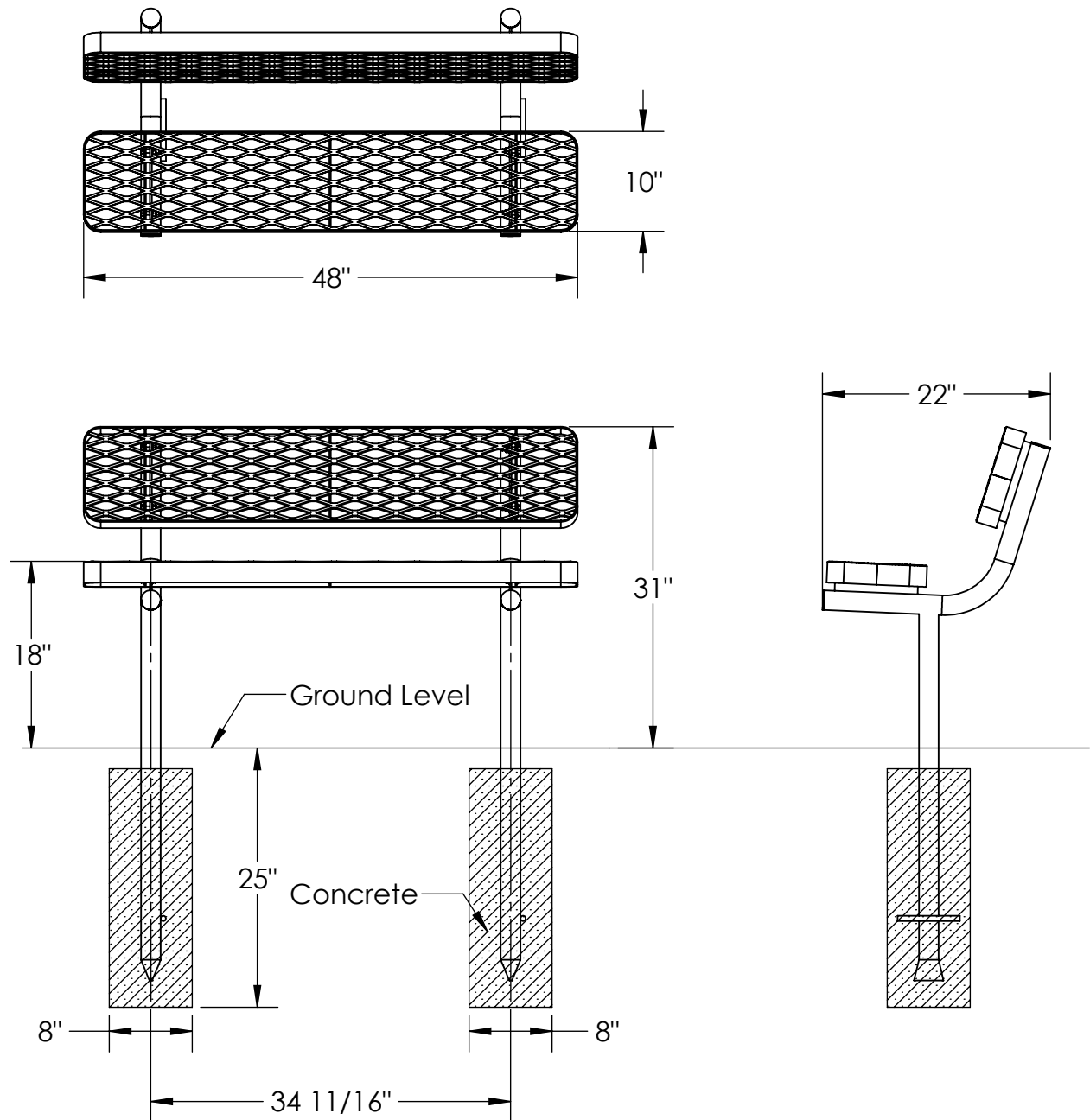


SIZE  
A

REV. X.01 SHEET 1 OF 1

# 4' Champion bench with back, Direct Bury

934-102



1. Drill plastic out of the mounting holes on the stands and the seat using a 7/16" dia. drill bit.
2. Attach seat and back to stands with 3/8" x 1-1/2" SS hex bolts, washers and nuts.
3. Secure in concrete footing as shown.

In Accordance to California law: WARNING This product contains a chemical know to the State of California to cause cancer and birth defects or other reproductive harm.



**PREMIER POLYSTEEL**

The Best Commercial Outdoor Furniture Available. Period.

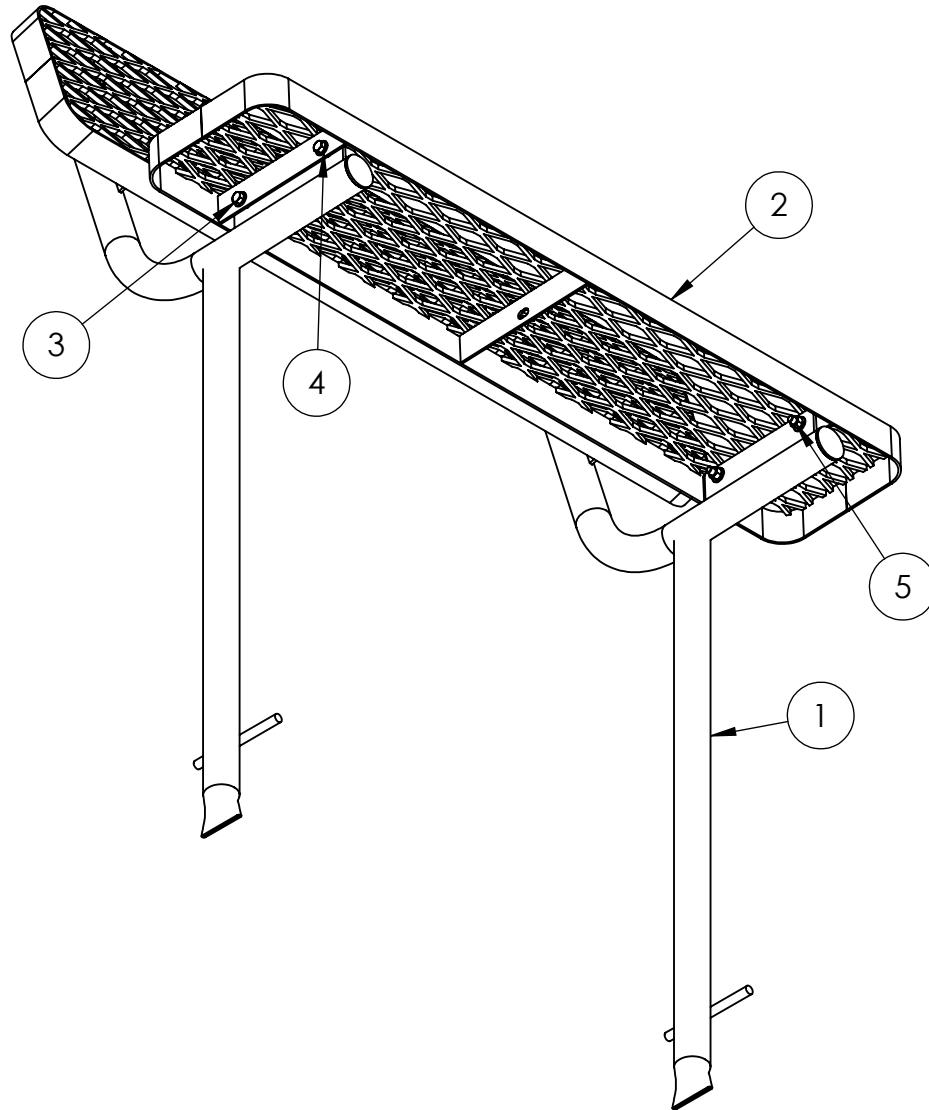


SIZE  
A

REV. X.01 SHEET 1 OF 2

4' Champion bench with back, Direct Bury

934-102



ITEM NO.	PART NUMBER	DESCRIPTION	QTY.
1	630-020	Stand for Bench w/Back Direct Bury	2
2	622-011	Champion Seat/Back 4'	2
3	516-058	3/8"x1-1/2" SS Hex Bolt	8
4	516-023	3/8" SS Flat Washer	16
5	516-028	3/8" SS Nylock Nut	8



**PREMIER POLYSTEEL**

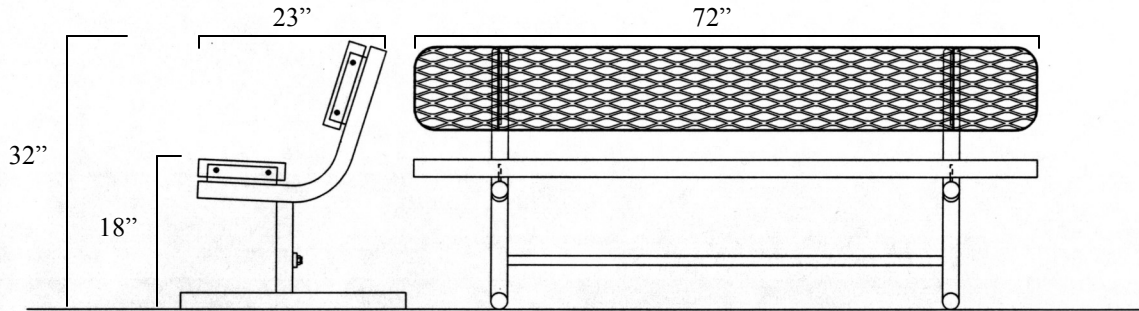
The Best Commercial Outdoor Furniture Available. Period.



SIZE  
A



# 934-301



Part No.	Description	Qty.
622-013	Champion Seat/Back 6'	2
630-010	Stand (Free Standing)	2
630-013	Brace 6'	1
516-058	3/8" x 1-1/2" SS Hex Bolt	8
516-028	3/8" SS Nylock Nut	10
516-023	3/8" SS Washer	18

### Assembly Instructions:

1. Drill plastic out of the mounting holes on the stands and the seat using a 7/16" diameter drill bit.
2. Attach seat and back loosely to stands with 3/8" x 1-1/2" SS hex bolts, washers and nuts.
3. Attach brace loosely to stands with 3/8" x 1-1/2" SS hex bolts, washers and nuts.
4. Set on level surface and tighten all fasteners.

In Accordance to California law: WARNING This product contains a chemical know to the State of California to cause cancer and birth defects or other reproductive harm.

*Periodic check of bolt tightness recommended.*



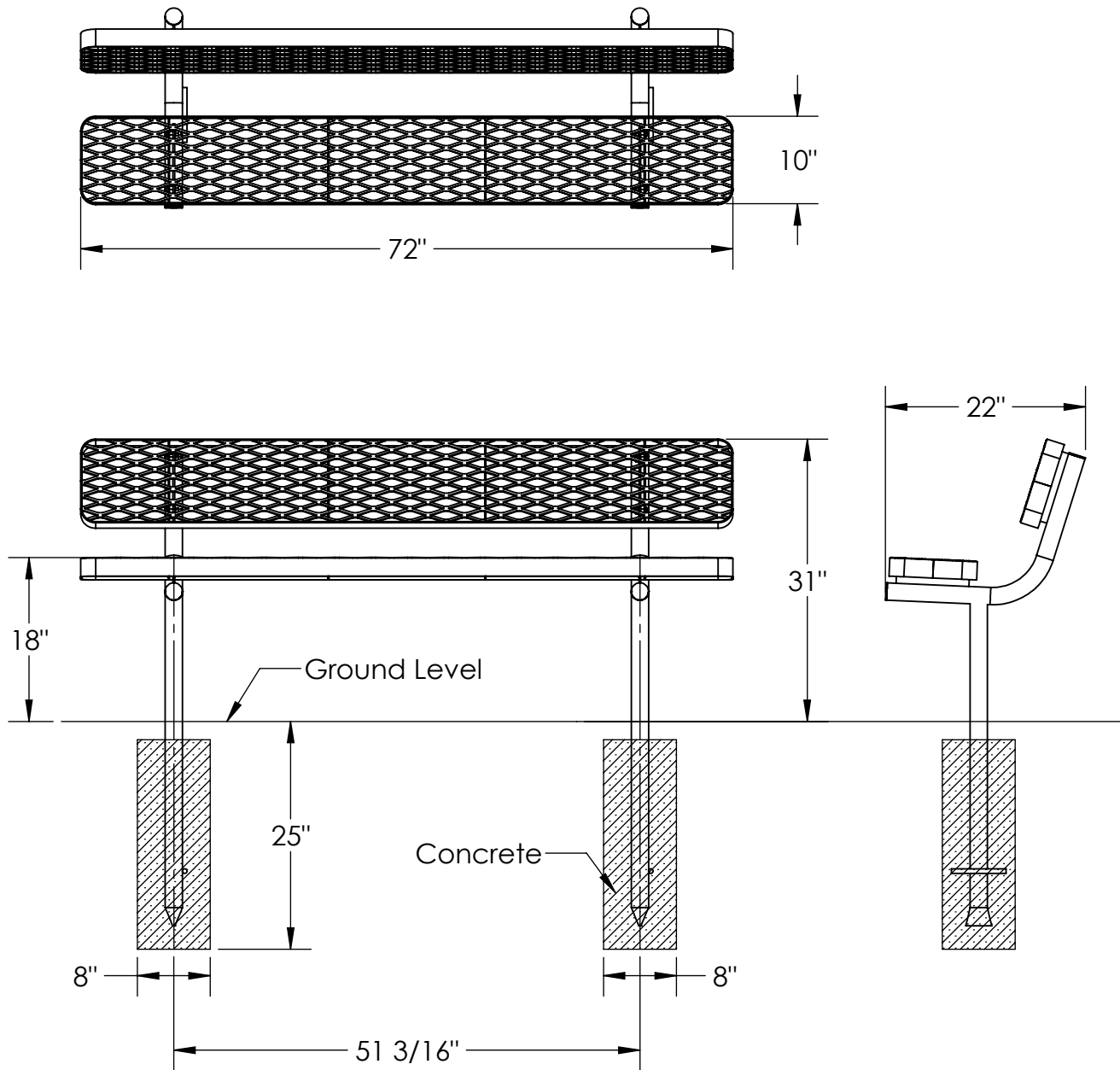
## PREMIER POLYSTEEL

The Best Commercial Outdoor Furniture Available. Period.



# 6' Champion bench with back, Direct Bury

934-302



1. Drill plastic out of the mounting holes on the stands and the seat using a 7/16" dia. drill bit.
2. Attach seat and back to stands with 3/8" x 1-1/2" SS hex bolts, washers and nuts.
3. Secure in concrete footing as shown.

In Accordance to California law: WARNING This product contains a chemical know to the State of California to cause cancer and birth defects or other reproductive harm.



**PREMIER POLYSTEEL**

The Best Commercial Outdoor Furniture Available. Period.

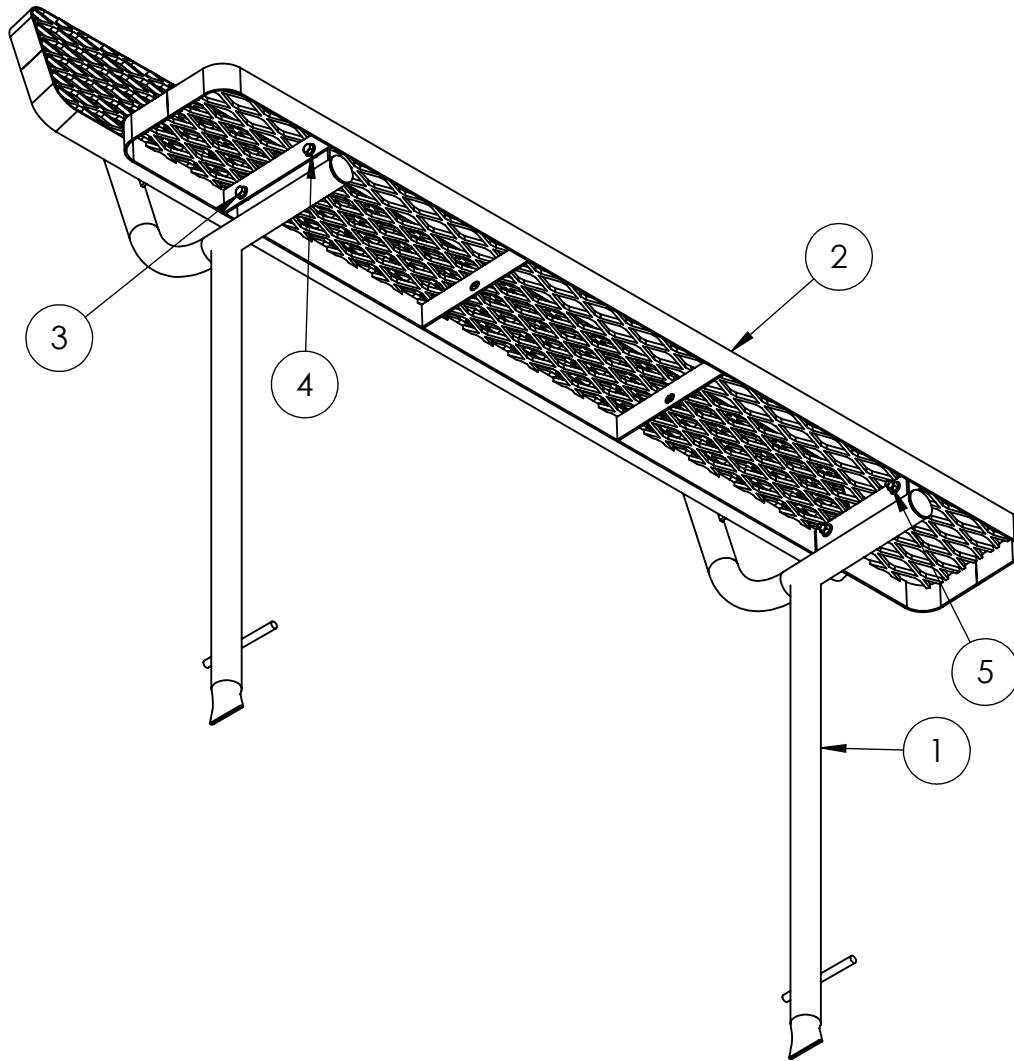


SIZE  
A

REV. X.01 | SHEET 1 OF 2

6' Champion bench with back, Direct Bury

934-302



ITEM NO.	PART NUMBER	DESCRIPTION	QTY.
1	630-020	Stand for Bench w/Back Direct Bury	2
2	622-013	Champion Seat/Back 6'	2
3	516-058	3/8"x1-1/2" SS Hex Bolt	8
4	516-023	3/8" SS Flat Washer	16
5	516-028	3/8" SS Nylock Nut	8



**PREMIER POLYSTEEL**

The Best Commercial Outdoor Furniture Available. Period.

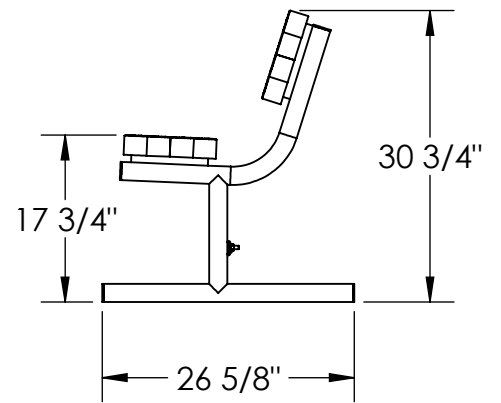
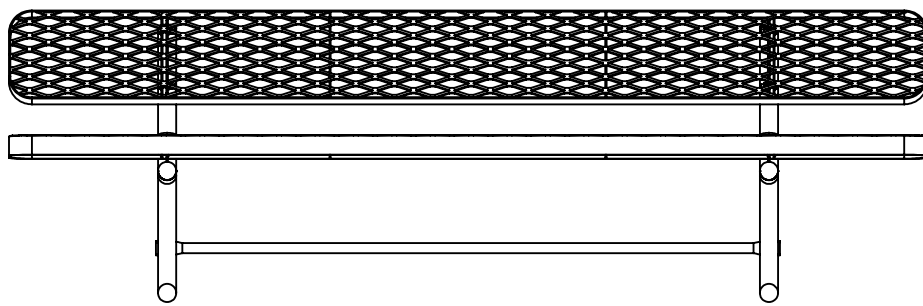
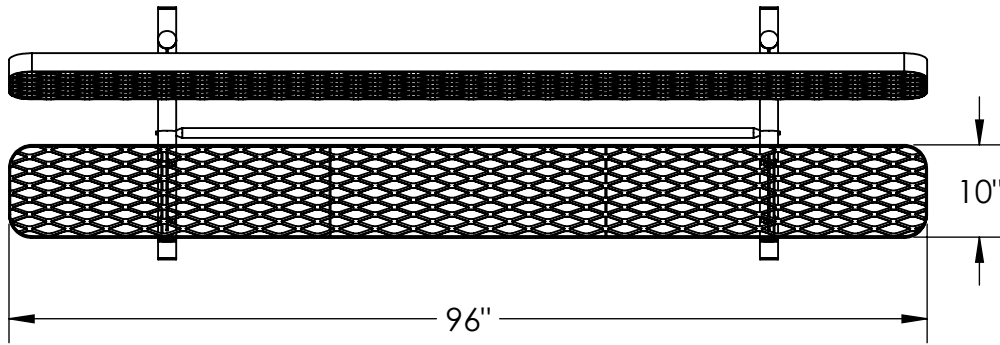


SIZE  
**A**

REV. X.01 SHEET 2 OF 2

# 8' Champion Bench with Back, Free Standing

934-501



## PREMIER POLYSTEEL

The Best Commercial Outdoor Furniture Available. Period.

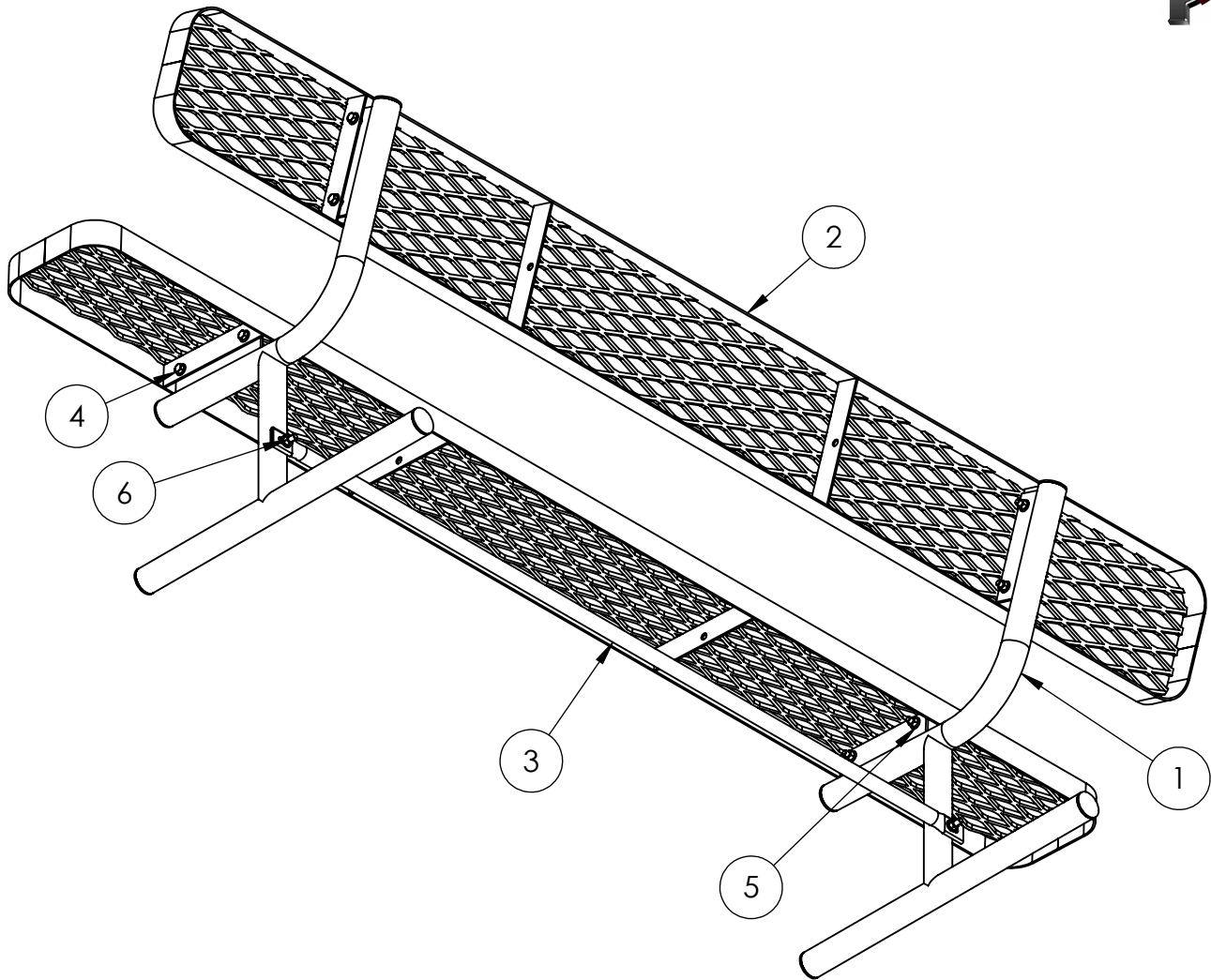


SIZE  
**A**

REV. X.01 | SHEET 1 OF 2

# 8' Champion Bench with Back, Free Standing

934-501



In Accordance to California law: WARNING This product contains a chemical know to the State of California to cause cancer and birth defects or other reproductive harm.

1. Drill plastic out of the mounting holes on the stands and the seat using a 7/16" diameter drill bit.
2. Attach seat and back loosely to stands with 3/8" x 1-1/2" SS hex bolts, washers and nuts.
3. Attach brace loosely to stands with 3/8" Nylock nut and washer.
4. Set on level surface and tighten all fasteners. Tighten the brace nuts last.

ITEM NO.	PART NUMBER	DESCRIPTION	QTY.
1	630-010	Bench with back stand FS	2
2	622-015	8' Champion Seat/Back	2
3	630-017	8' Bench with Back Brace	1
4	516-058	3/8"x1-1/2" SS Hex Bolt	8
5	516-023	3/8" SS Flat Washer	18
6	516-028	3/8" SS Nylock Nut	10



## PREMIER POLYSTEEL

The Best Commercial Outdoor Furniture Available. Period.



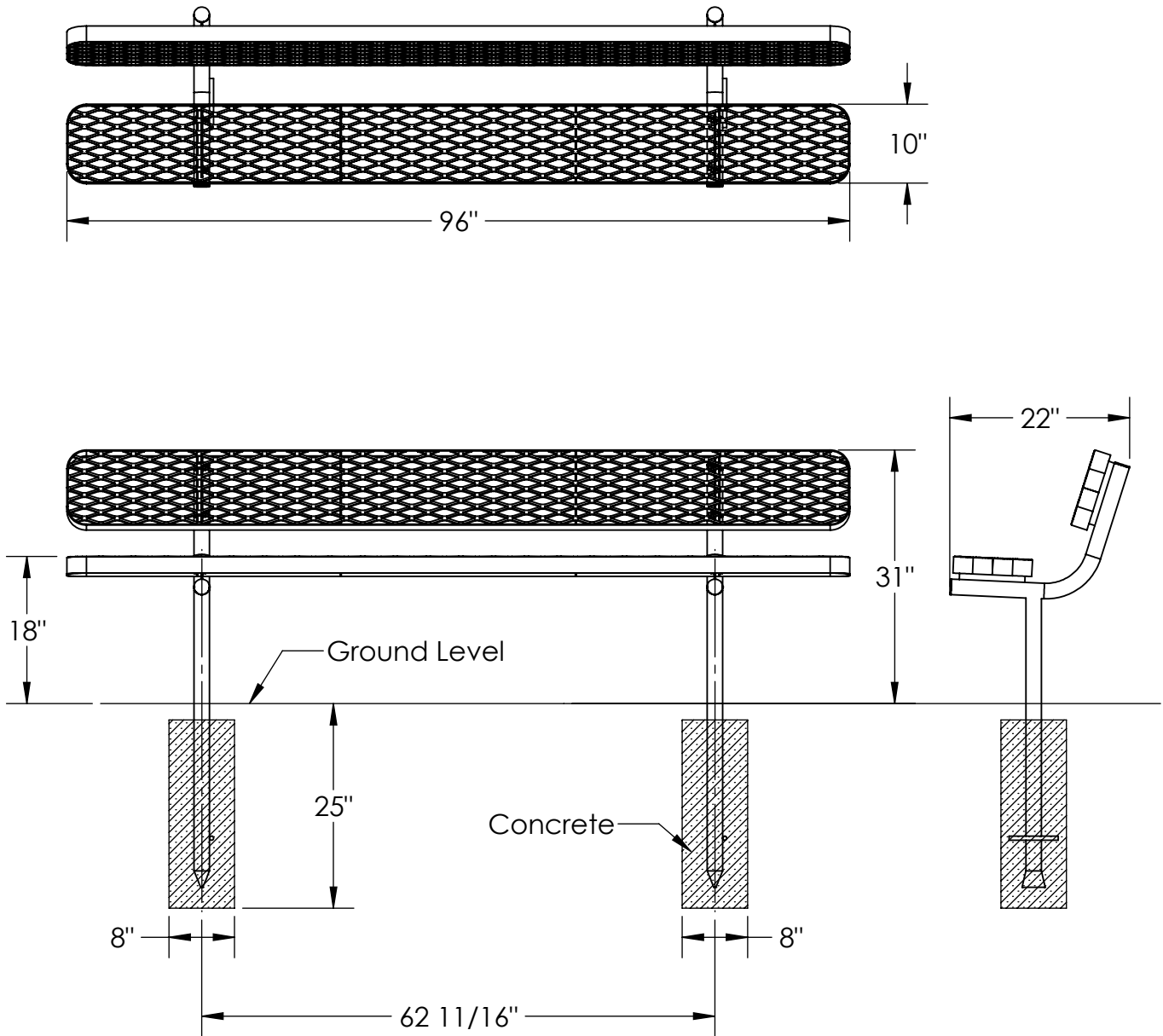
SIZE  
**A**

REV. X.01 SHEET 2 OF 2



# 8' Champion bench with back, Direct Bury

934-502



1. Drill plastic out of the mounting holes on the stands and the seat using a 7/16" dia. drill bit.
2. Attach seat and back to stands with 3/8" x 1-1/2" SS hex bolts, washers and nuts.
3. Secure in concrete footing as shown.

In Accordance to California law: WARNING This product contains a chemical know to the State of California to cause cancer and birth defects or other reproductive harm.



## PREMIER POLYSTEEL

The Best Commercial Outdoor Furniture Available. Period.

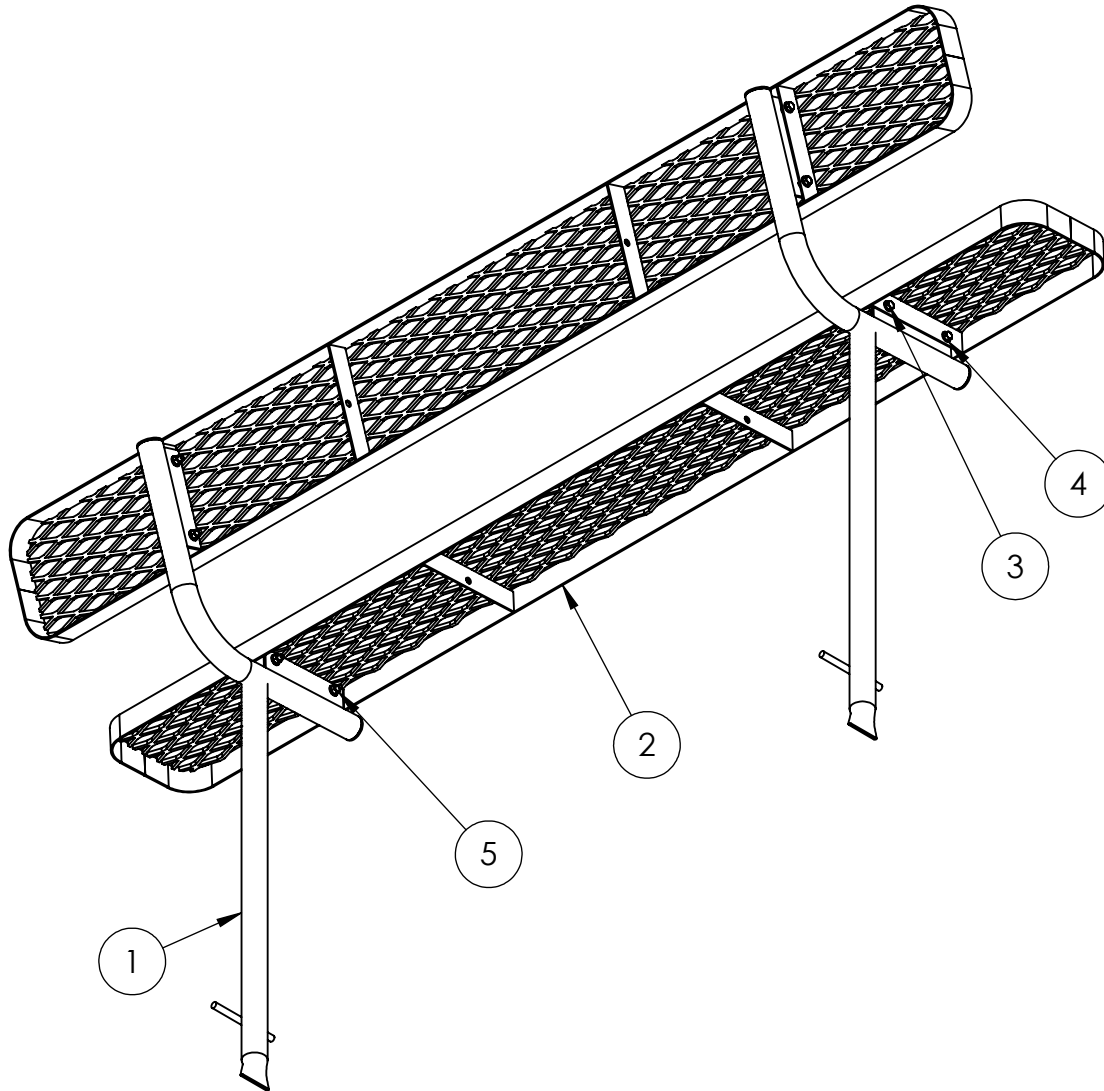


SIZE  
A

REV. X.01 SHEET 1 OF 2

8' Champion bench with back, Direct Bury

934-502



ITEM NO.	PART NUMBER	DESCRIPTION	QTY.
1	630-020	Stand for Bench w/Back Direct Bury	2
2	622-015	8' Champion Seat/Back	2
3	516-058	3/8"x1-1/2" SS Hex Bolt	8
4	516-023	3/8" SS Flat Washer	16
5	516-028	3/8" SS Nylock Nut	8



**PREMIER POLYSTEEL**

The Best Commercial Outdoor Furniture Available. Period.

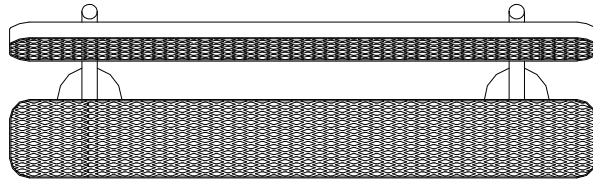


SIZE  
A

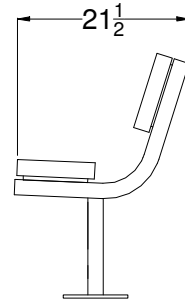
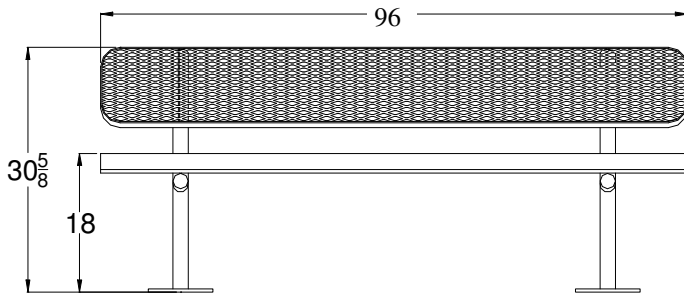
REV. X.01 SHEET 2 OF 2



# 934-507



934-507 8' Champion Bench with Back—  
Surface Mount



Part No.	Description	Qty.
622-015	Champion Seat/Back 8'	2
630-012	Stand (Surface Mount)	2
516-058	3/8" x 1-1/2" SS Hex Bolt	8
516-028	3/8" SS Nylock Nut	8
516-023	3/8" SS Washer	16

### Assembly Instructions:

1. Drill plastic out of the mounting holes on the stands and the seat using a 7/16" diameter drill bit.
2. Attach seat and back loosely to stands with 3/8" x 1-1/2" SS hex bolts, washers and nuts.
3. Set on level surface and tighten all fasteners.
4. Anchor to floor with appropriate fasteners.

In Accordance to California law: WARNING This product contains a chemical know to the State of California to cause cancer and birth defects or other reproductive harm.

*Periodic check of bolt tightness recommended.*



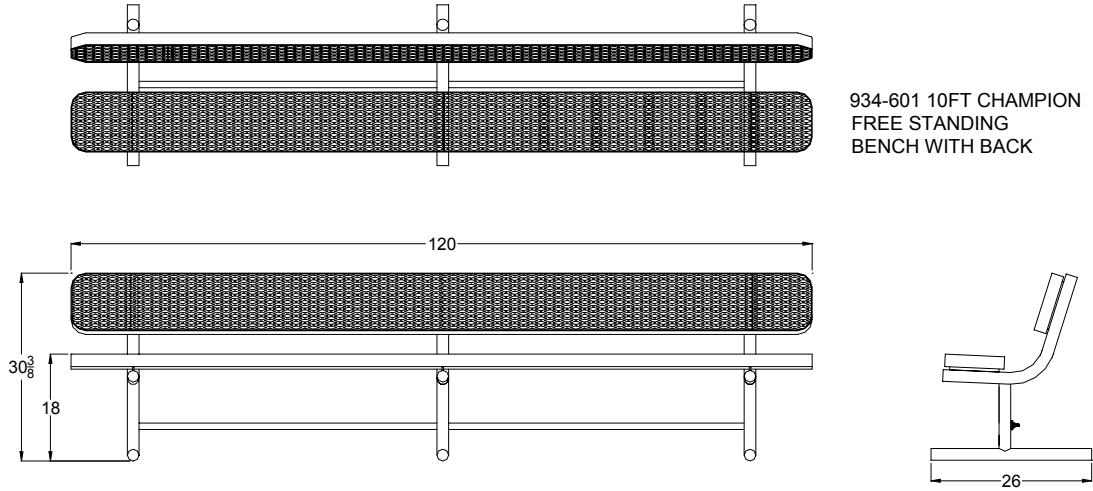
## PREMIER POLYSTEEL

The Best Commercial Outdoor Furniture Available. Period.





# 934-601



934-601 10FT CHAMPION  
FREE STANDING  
BENCH WITH BACK

Part No.	Description	Qty.
622-016	Champion 10' Seat/Back	2
630-010	Bench with Back Stand Free Standing	3
630-016	Bench w/Back Brace 10'	1
516-058	3/8" x 1-1/2" SS Hex Bolt	12
516-028	3/8" SS Nylock Nut	15
516-023	3/8" SS Washer	27

- 1 Drill plastic out of the mounting holes on the stands, seat and back using a 7/16" dia. drill bit.
- 2 Fasten the seat and back to the stands loosely. The end stands are mounted to the inside of the seat and back mounting plate. The center stand can be mounted to either side of the mounting plate.
- 3 Fasten the brace to the stands loosely. The center slot is offset. You may need to turn the brace end for end to get it aligned with the stand.
- 4 Tighten all of the bolts.

In Accordance to California law: WARNING This product contains a chemical know to the State of California to cause cancer and birth defects or other reproductive harm.

*Periodic check of bolt tightness recommended.*



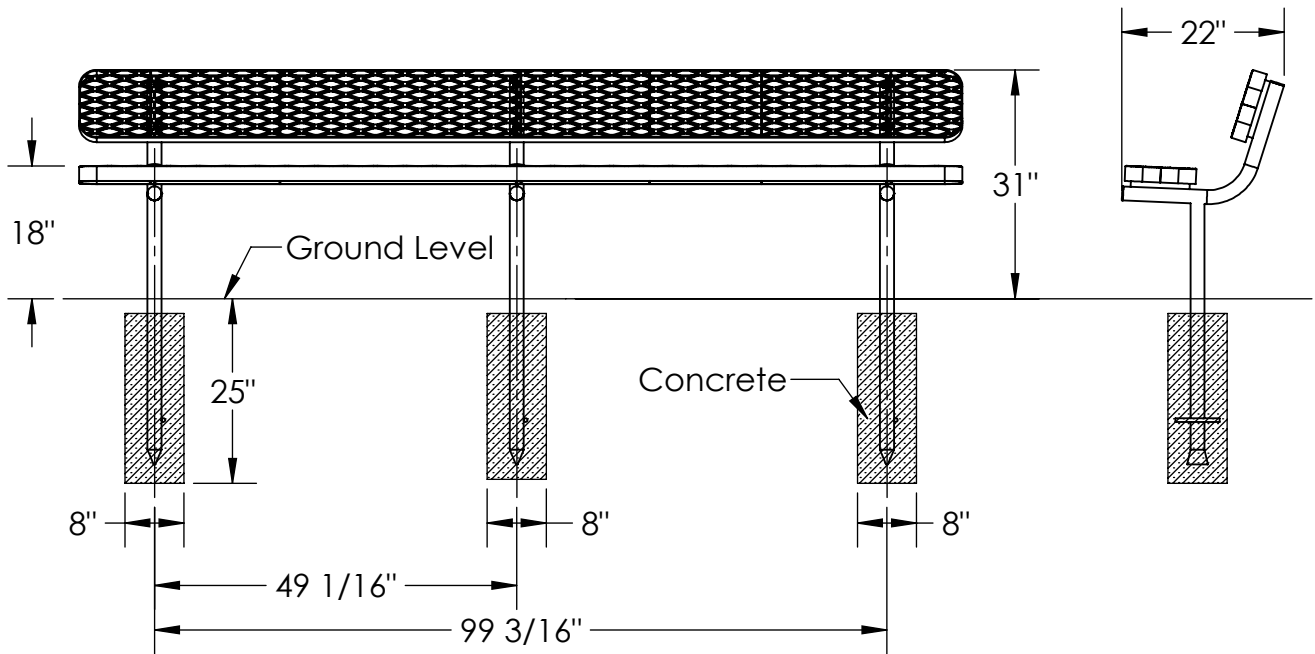
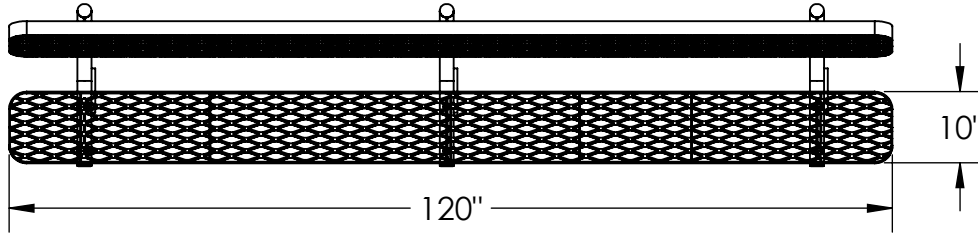
## PREMIER POLYSTEEL

The Best Commercial Outdoor Furniture Available. Period.



# 10' Champion bench with back, Direct Bury

934-602



1. Drill plastic out of the mounting holes on the stands and the seat using a 7/16" dia. drill bit.
2. Attach seat and back to stands with 3/8" x 1-1/2" SS hex bolts, washers and nuts.
3. Secure in concrete footing as shown.

In Accordance to California law: WARNING This product contains a chemical know to the State of California to cause cancer and birth defects or other reproductive harm.



**PREMIER POLYSTEEL**

The Best Commercial Outdoor Furniture Available. Period.

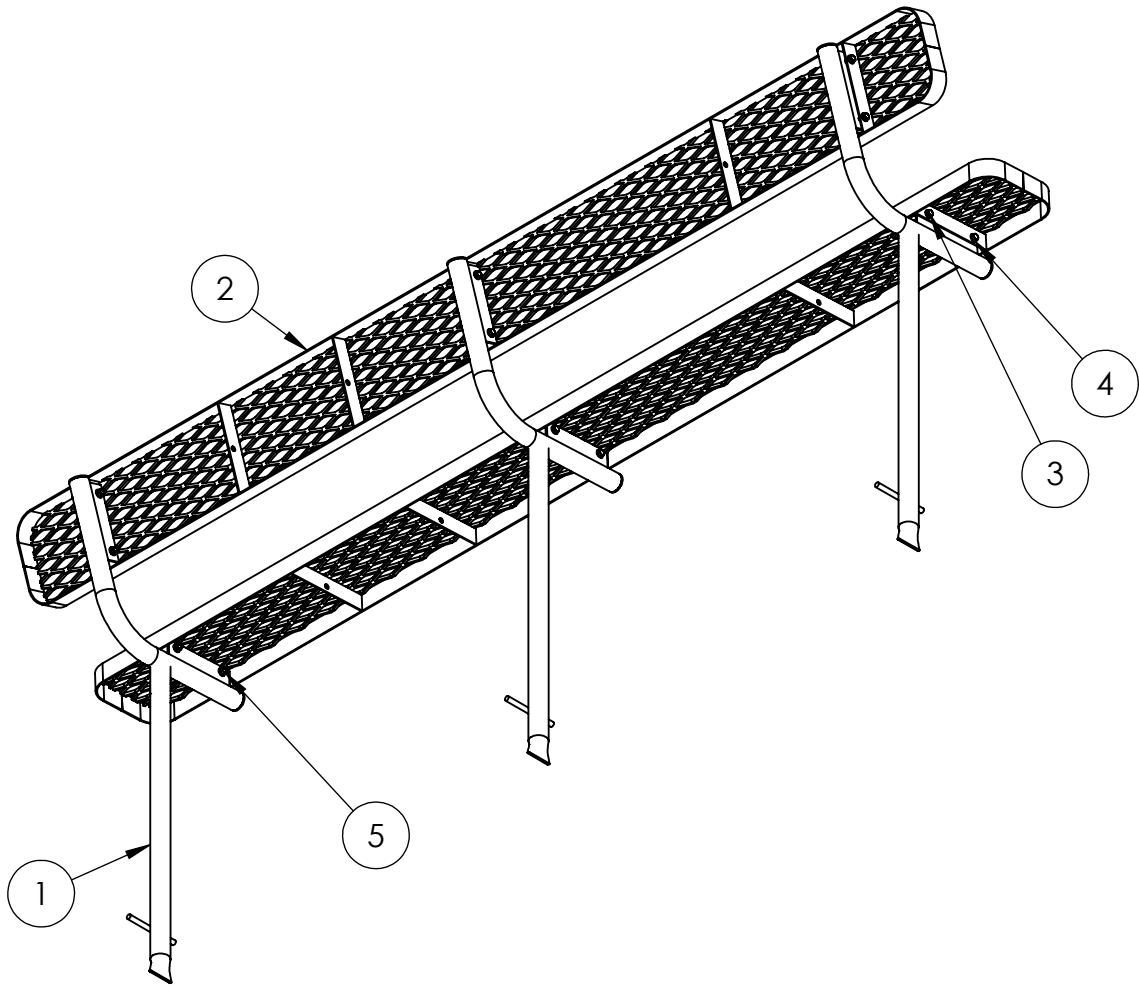


SIZE  
A

REV. X.01 SHEET 1 OF 2

10' Champion bench with back, Direct Bury

934-602



ITEM NO.	PART NUMBER	DESCRIPTION	QTY.
1	630-020	Stand for Bench w/Back Direct Bury	3
2	622-016	10' Champion Bench/Back	2
3	516-058	3/8"x1-1/2" SS Hex Bolt	12
4	516-023	3/8" SS Flat Washer	24
5	516-028	3/8" SS Nylock Nut	12



**PREMIER POLYSTEEL**

The Best Commercial Outdoor Furniture Available. Period.



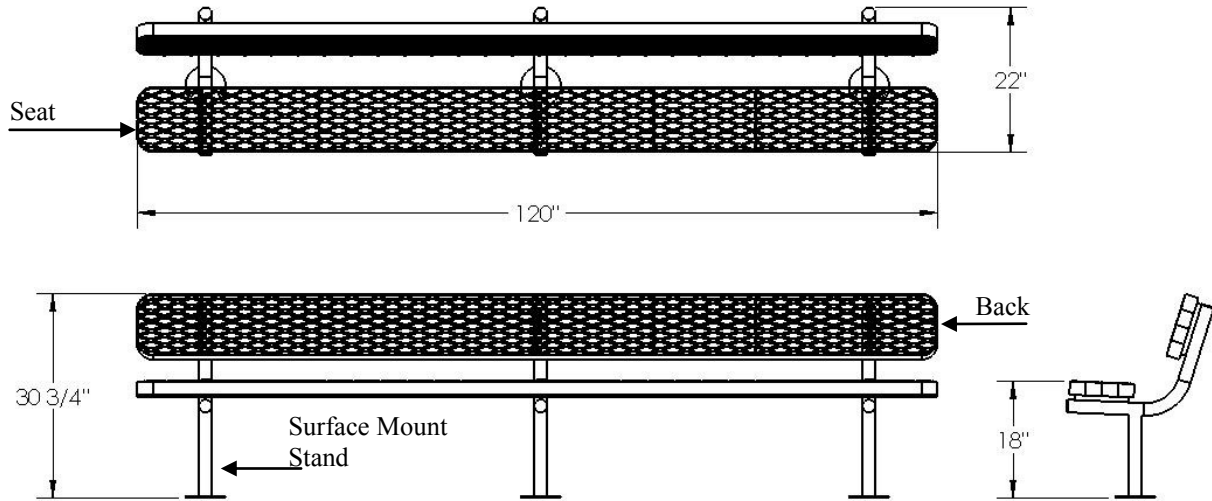
SIZE  
A

REV. X.01 | SHEET 2 OF 2



# 934-607

## 934-607 10FT CHAMPION SURFACE MOUNT BENCH WITH BACK



Part No.	Description	Qty.
622-016	Champion 10' Seat/Back	2
633-012	Bench with Back Stand Surface Mount	3
516-058	3/8" x 1-1/2" SS Hex Bolt	12
516-028	3/8" SS Nylock Nut	12
516-023	3/8" SS Washer	24

- 1 Drill plastic out of the mounting holes on the stands, seat and back using a 7/16" dia. drill bit.
- 2 Fasten the seat and back to the stands loosely.
- 3 Make sure the bench is level and tighten all of the bolts.
- 4 Anchor bench to floor with appropriate fasteners.

In Accordance to California law: WARNING This product contains a chemical know to the State of California to cause cancer and birth defects or other reproductive harm.

*Periodic check of bolt tightness recommended.*



# PREMIER POLYSTEEL

The Best Commercial Outdoor Furniture Available. Period.

