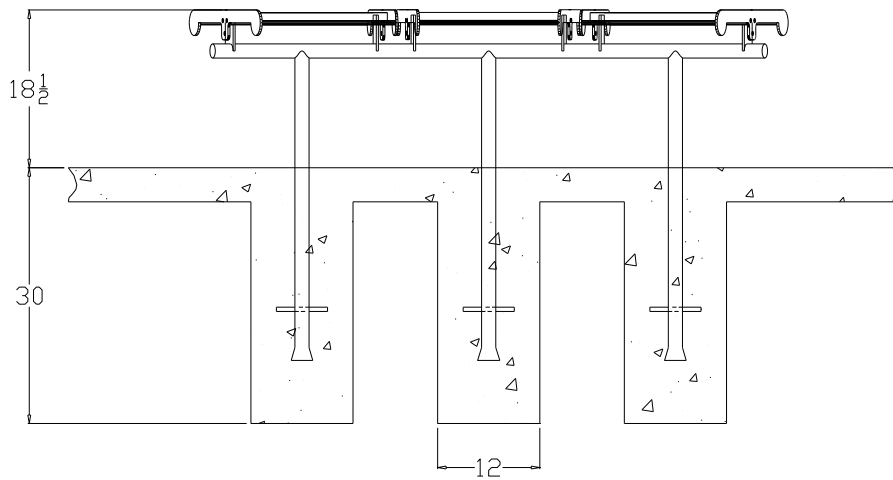
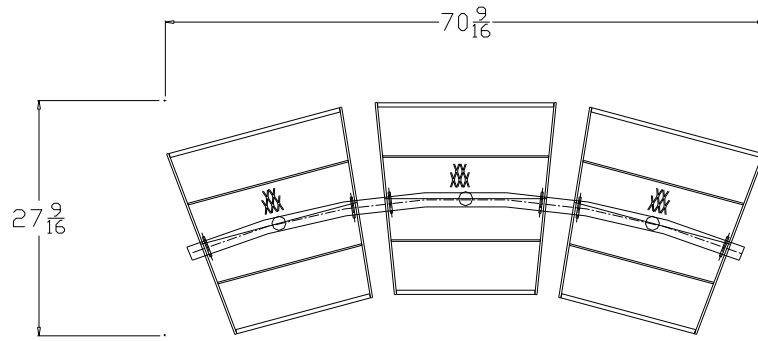




972-45D-2



Part No.	Description	Qty.
652-102	45deg Flat Seat	3
652-026	45 deg Arc Support Frame Direct Bury	1
516-058	3/8" X 1-1/2" SS Hex Bolt	18
516-028	3/8" SS Nylock Nut	18
516-023	3/8" SS Washer	36

- 1 Use the support frame as a template for locating the position of the ground holes and drill down to the recommended depth.
- 2 Drill plastic out of the mounting holes on the seats and stand using a 7/16" dia. drill bit.
- 3 Fasten the seats to the stand loosely.
- 4 Make sure that the three seats are level with each other and tighten all of the bolts.
- 5 Put legs into ground holes and support the bench so that it's level end to end and front to back.
- 6 Check the bench height and fill ground holes with concrete if height is correct.

In Accordance to California law: WARNING This product contains a chemical know to the State of California to cause cancer and birth defects or other reproductive harm.

Periodic check of bolt tightness recommended.



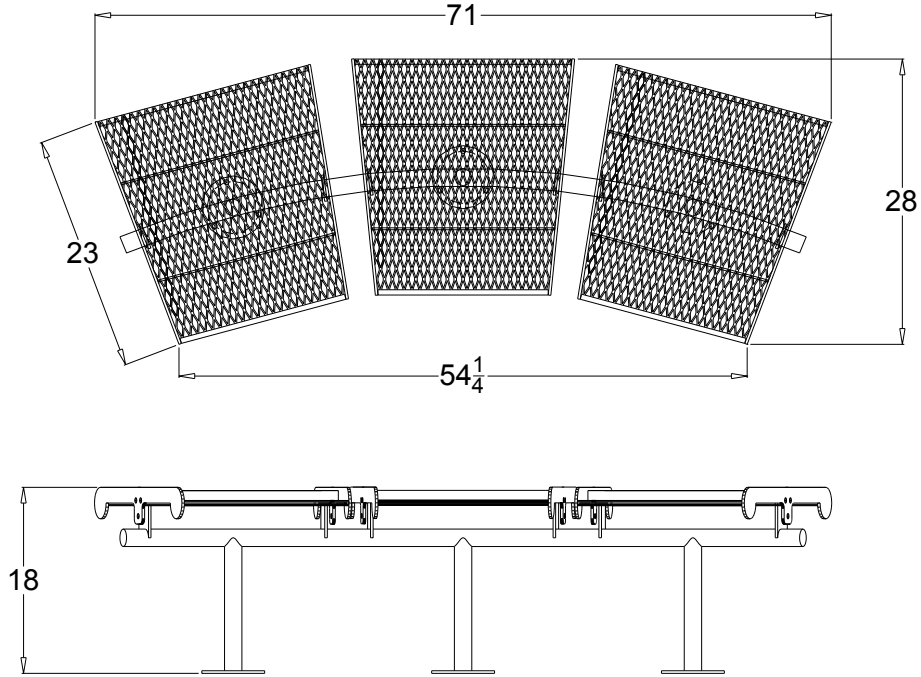
PREMIER POLYSTEEL

The Best Commercial Outdoor Furniture Available. Period.





972-45D-7



Part No.	Description	Qty.
652-102	45deg Flat Seat	3
652-026	45 deg Arc Support Frame Direct Bury	1
516-058	3/8" X 1-1/2" SS Hex Bolt	18
516-028	3/8" SS Nylock Nut	18
516-023	3/8" SS Washer	36

- 1 Position the support frame in the desired location and anchor it to the concrete.
- 2 Drill plastic out of the mounting holes on the seats and stand using a 7/16" dia. drill bit.
- 3 Fasten the seats to the stand loosely.
- 4 Make sure that the three seats are level with each other and tighten all of the bolts.

In Accordance to California law: WARNING This product contains a chemical know to the State of California to cause cancer and birth defects or other reproductive harm.

Periodic check of bolt tightness recommended.



PREMIER POLYSTEEL

The Best Commercial Outdoor Furniture Available. Period.

